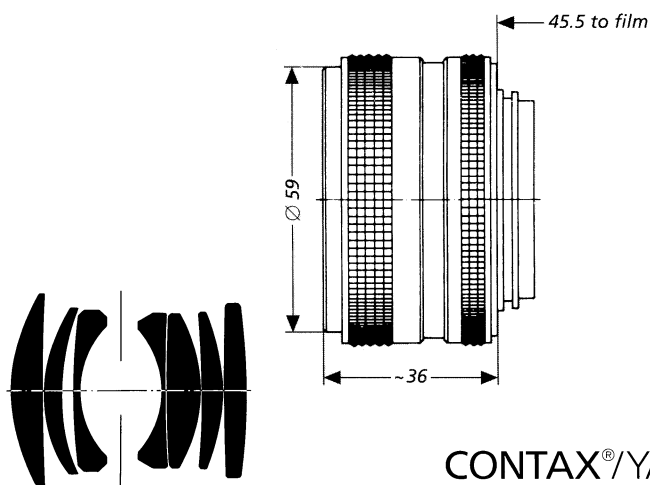


Planar[®] T* f/1.7 - 50 mm



For the **Contax**[®] owner this lens is an attractively priced alternative to the fast 50 mm f/1.4 standard lens. The relative aperture of 1:1.7 is absolutely sufficient for many photographic purposes.

The image quality is excellent and can even be compared with that of the 50 mm **Planar**[®] f/1.4 lens at the corresponding f-stops. Specific mention should be made of the relatively short design and the low weight of this high-performance seven-element lens.

Cat. No. of lens:	10 21 55	Weight:	approx. 195 g
Number of elements:	7	Focusing range:	∞ to 0.6 m
Number of groups:	6	Entrance pupil:	
Max. aperture:	f/1.7	Position:	22.9 mm behind the first lens vertex
Focal length:	51.9 mm	Diameter:	30.4 mm
Negative size:	24 x 36 mm	Exit pupil:	
Angular field 2w:	diagonal 47°	Position:	28.9 mm in front of the last lens vertex
Mount:	focusing mount with bayonet; TTL metering either at full aperture or in stopped-down position. Aperture priority/Shutter priority/ Automatic programs (Multi-Mode Operation)	Diameter:	41.0 mm
Aperture scale:	1.7 - 2.8 - 4 - 5.6 - 8 - 11 - 16	Position of principal planes:	
Filter connection:	clip-on-filter, diameter 57 mm screw-in filter, thread M 55 x 0.75	H:	34.5 mm behind the first lens vertex
		H':	13.7 mm in front of the last lens vertex
		Back focal distance:	38.2 mm
		Distance between first and last lens vertex:	39.6 mm



Performance data:

Planar[®] T* f/1.7 - 50 mm
Cat. No. 10 21 55

1. MTF Diagrams

The image height u - calculated from the image center - is entered in mm on the horizontal axis of the graph. The modulation transfer T (MTF = Modulation Transfer Factor) is entered on the vertical axis. Parameters of the graph are the spatial frequencies R in cycles (line pairs) per mm given at the top of this page. The lowest spatial frequency corresponds to the upper pair of curves, the highest spatial frequency to the lower pair. Above each graph, the f-number k is given for which the measurement was made. "White" light means that the measurement was made with a subject illumination having the approximate spectral distribution of daylight. Unless otherwise indicated, the performance data refer to large object distances, for which normal photographic lenses are primarily used.

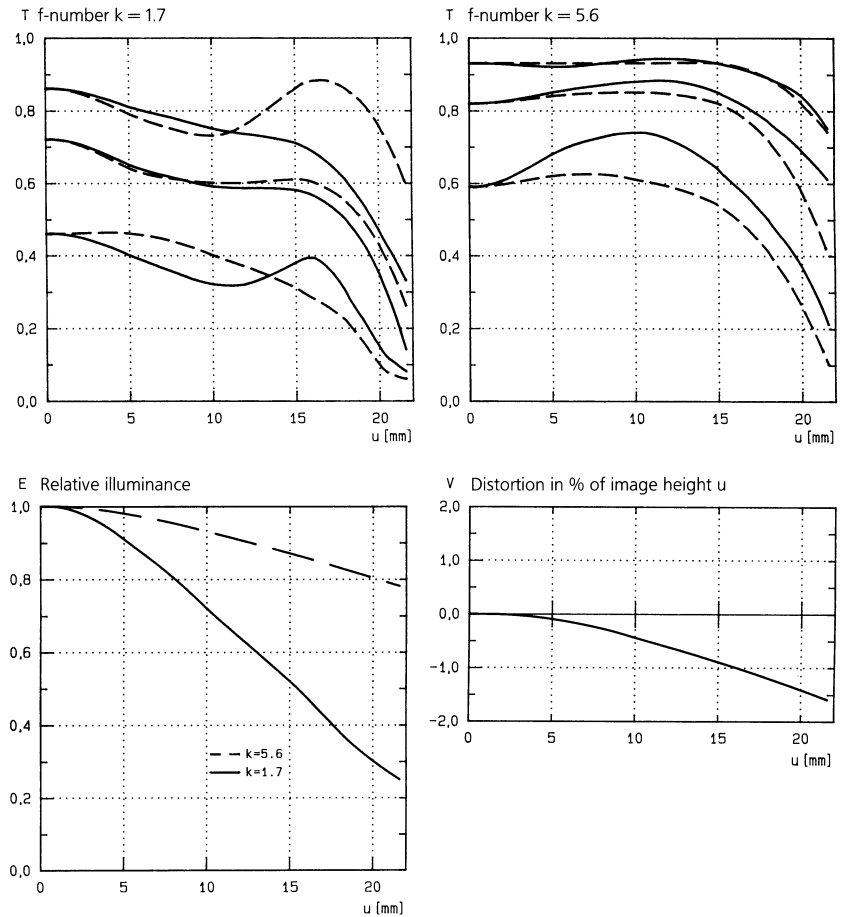
2. Relative illuminance

In this diagram the horizontal axis gives the image height u in mm and the vertical axis the relative illuminance E , both for full aperture and a moderately stopped-down lens. The values for E are determined taking into account vignetting and natural light decrease.

3. Distortion

Here again the image height u is entered on the horizontal axis in mm. The vertical axis gives the distortion V in % of the relevant image height. A positive value for V means that the actual image point is further from the image center than with perfectly distortion-free imaging (pincushion distortion); a negative V indicates barrel distortion.

Modulation transfer T as a function of image height u . Slit orientation: tangential — — — sagittal ———
White light. Spatial frequencies $R = 10, 20$ and 40 cycles/mm



Carl Zeiss
Photoobjektive
D-73446 Oberkochen
Telephone (07364) 20-6175
Fax (07364) 20-4045
eMail: photo@zeiss.de
http://www.zeiss.de

Subject to change.