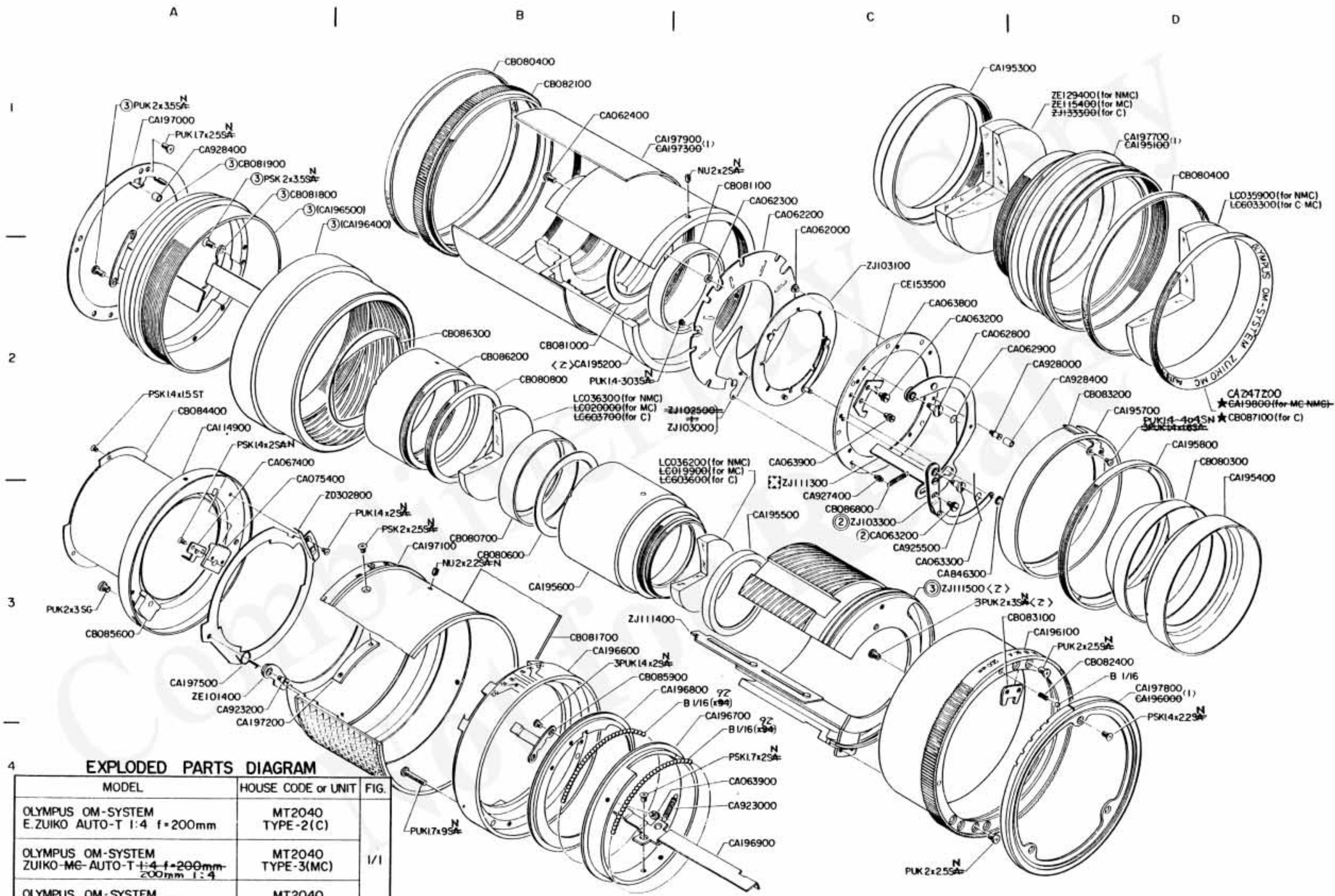


EXPLODED PARTS DIAGRAM

MODEL	HOUSE CODE or UNIT	FIG.
OLYMPUS OM-SYSTEM E ZUIKO AUTO-T 1:4 f=200mm	MT2040 TYPE-I(C)	1/1
OLYMPUS OPTICAL CO., LTD. TOKYO, JAPAN		

1781

NOTE: WHEN ORDERING FOR SPARE PARTS, PLEASE CLARIFY A MODEL or HOUSE CODE, PARTS NUMBER, AND QUANTITY.



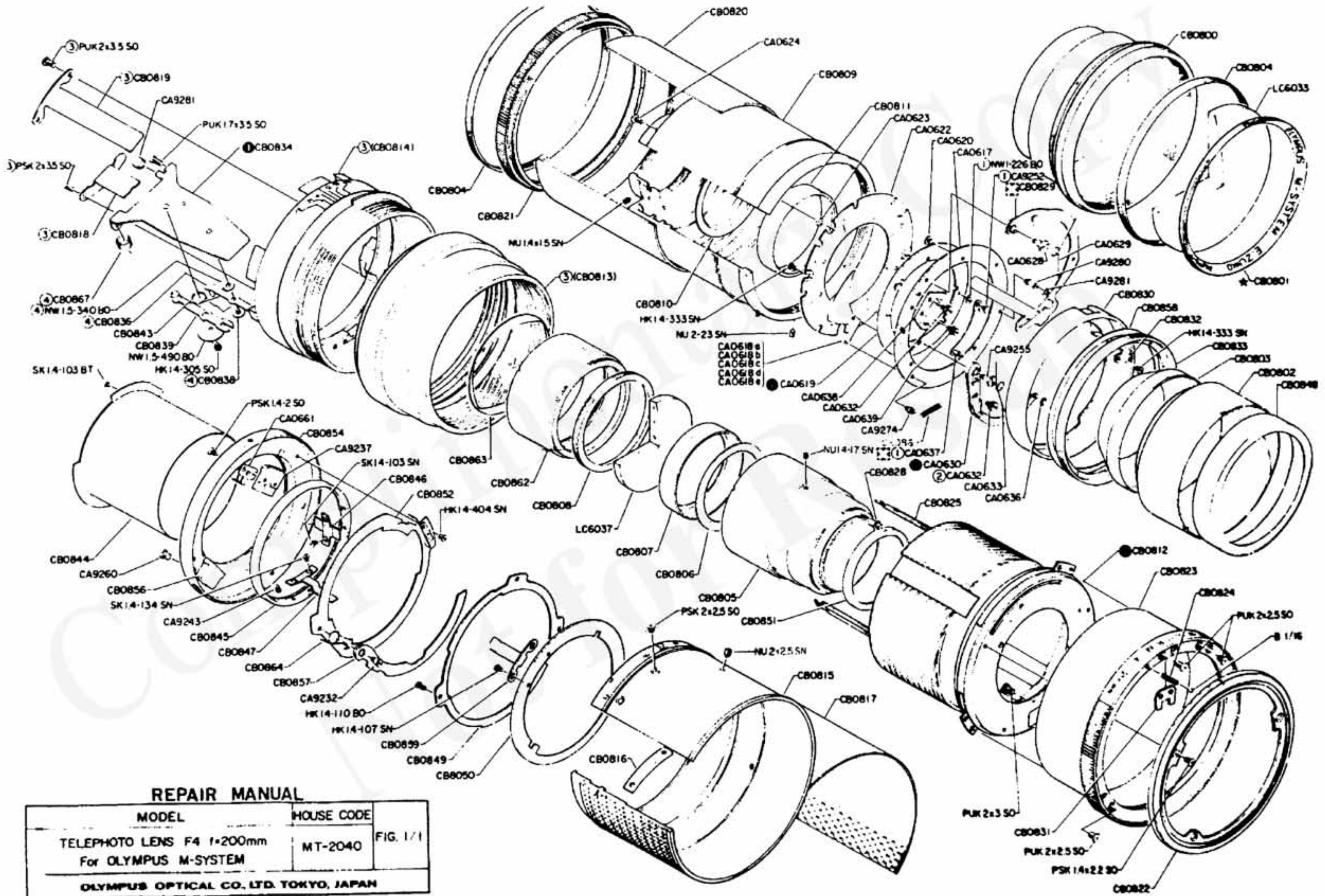
EXPLODED PARTS DIAGRAM

MODEL	HOUSE CODE or UNIT	FIG.
OLYMPUS OM-SYSTEM E.ZUIKO AUTO-T 1:4 f=200mm	MT2040 TYPE-2(C)	1/1
OLYMPUS OM-SYSTEM ZUIKO-MG-AUTO-T 1:4 f=200mm- 200mm 1:4	MT2040 TYPE-3(MC)	
OLYMPUS OM-SYSTEM ZUIKO MG-AUTO-T 1:4 f=200mm- 200mm 1:4	MT2040 TYPE-4(NMC)	

OLYMPUS OPTICAL CO., LTD. TOKYO, JAPAN

1781

NOTE: WHEN ORDERING FOR SPARE PARTS, PLEASE CLARIFY A MODEL or HOUSE CODE, PARTS NUMBER AND QUANTITY.



REPAIR MANUAL

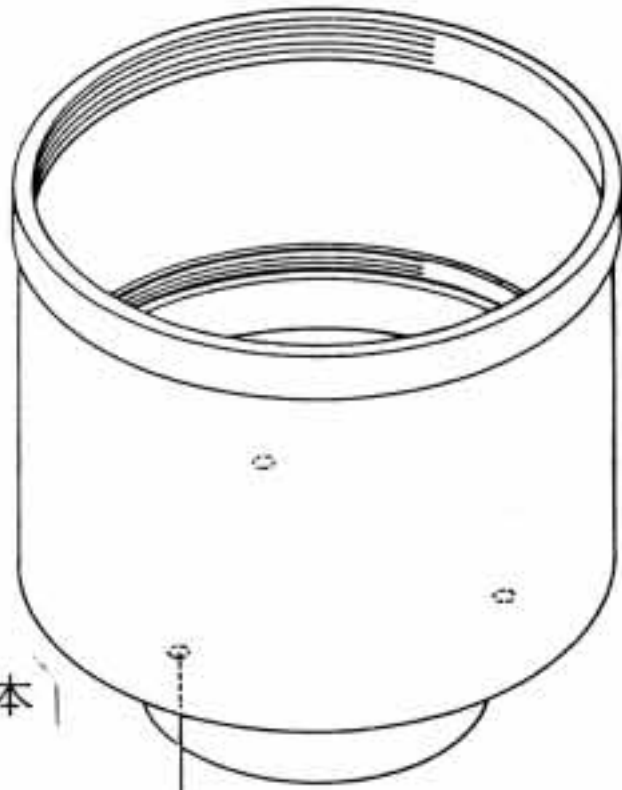
MODEL	HOUSE CODE	FIG. 1/1
TELEPHOTO LENS F4 1=200mm For OLYMPUS M-SYSTEM	MT-2040	
OLYMPUS OPTICAL CO., LTD. TOKYO, JAPAN		

NOTE: WHEN ORDERING FOR SPARE PARTS, PLEASE CLARIFY A MODEL, PARTS NUMBER AND QUANTITY

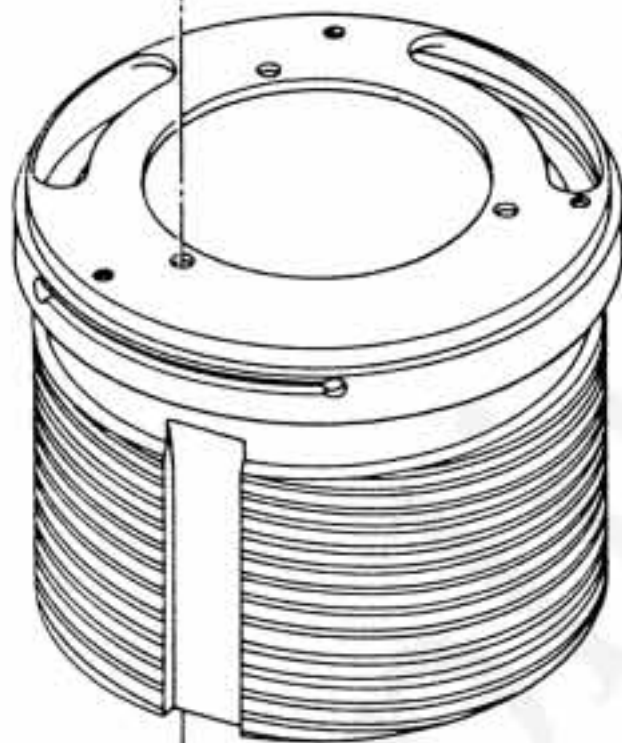
OLD

<2>

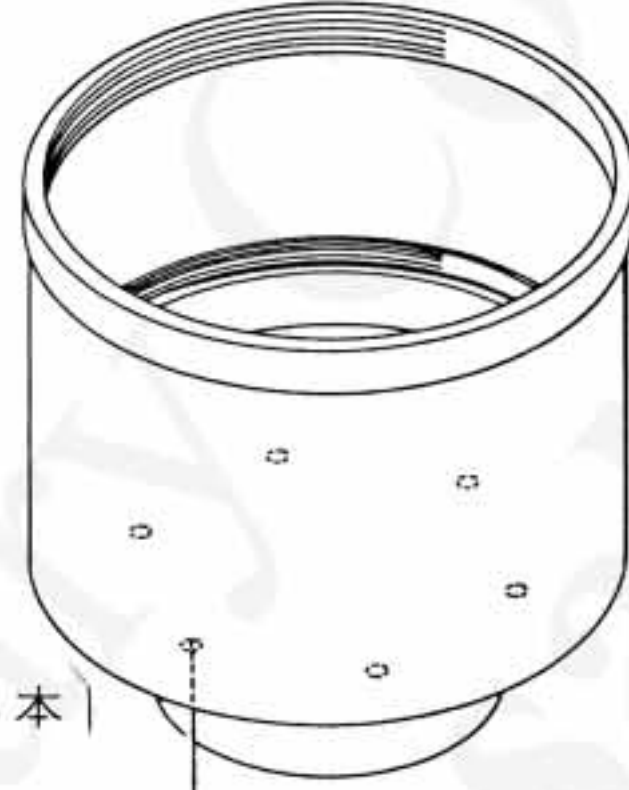
NEW



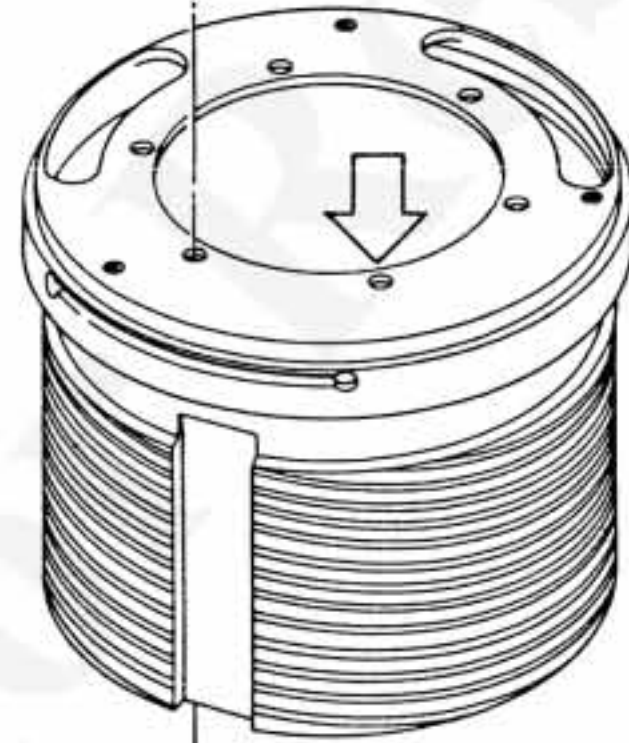
ネジ穴 3本



PUK2x3SA



ネジ穴 6本



3PUK2x3SA