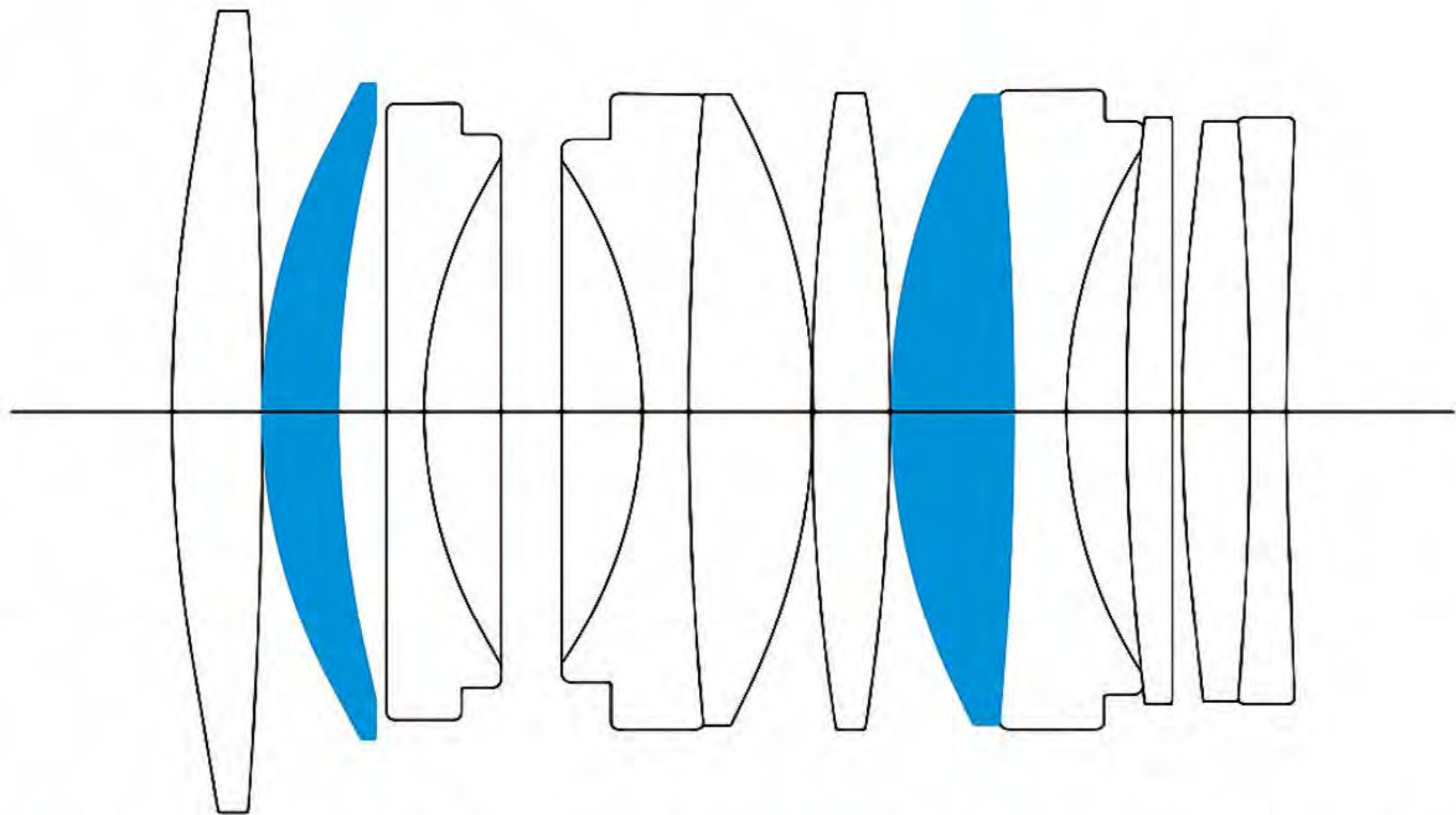







7Artisans APS-C 35mm F0.95

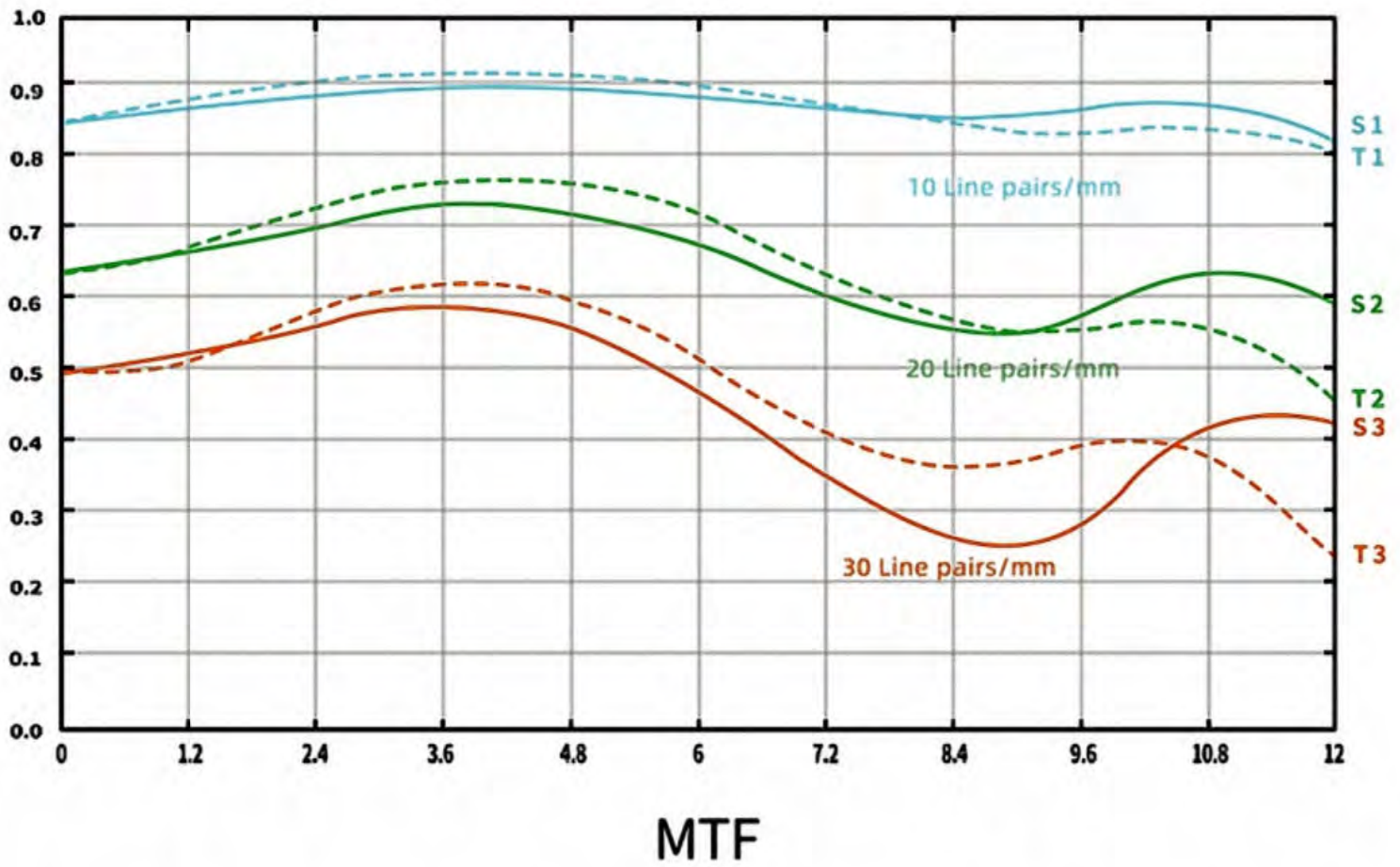
Focal length	35mm
Maximum aperture	F0.95
Minimum aperture	F16
Lens construction	8 groups, 11 elements
Minimum focusing distance	0.37m
Frame type	APS-C
Aperture ring	De-clicked aperture
Lens anti-shake	Without anti-shake
Blades numbers	12pcs
Angle of view	43°
Filter size	52mm
Lens material	Metal
Weight	369g
Focusing method	Manual focusing
Bayonet	E, FX, EOS-M, M43, Z



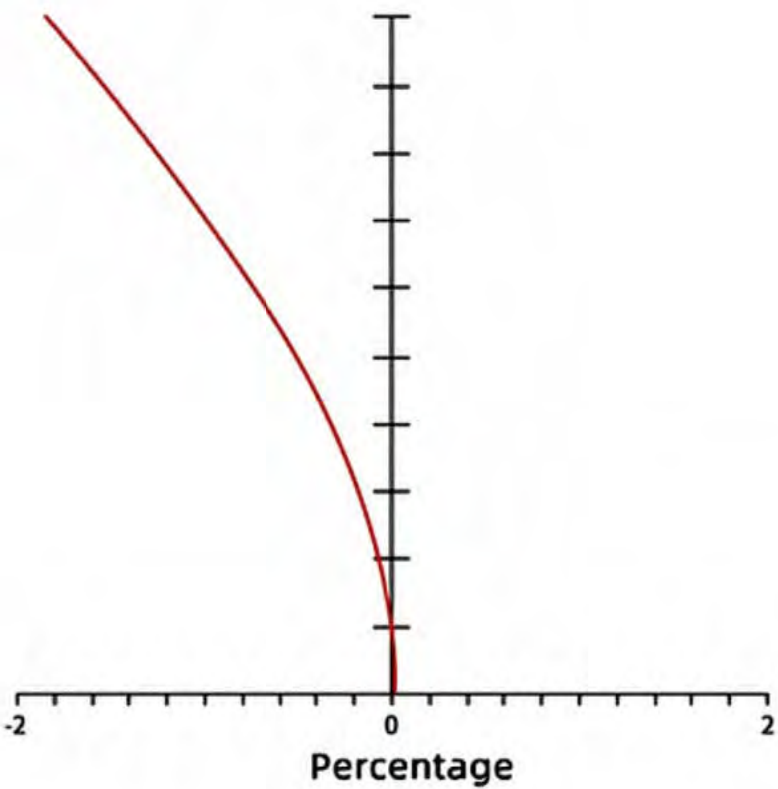
7Artisans

APS-C 35mm F0.95

 Ultra low dispersion materials



Distortion control



Curvature of field

