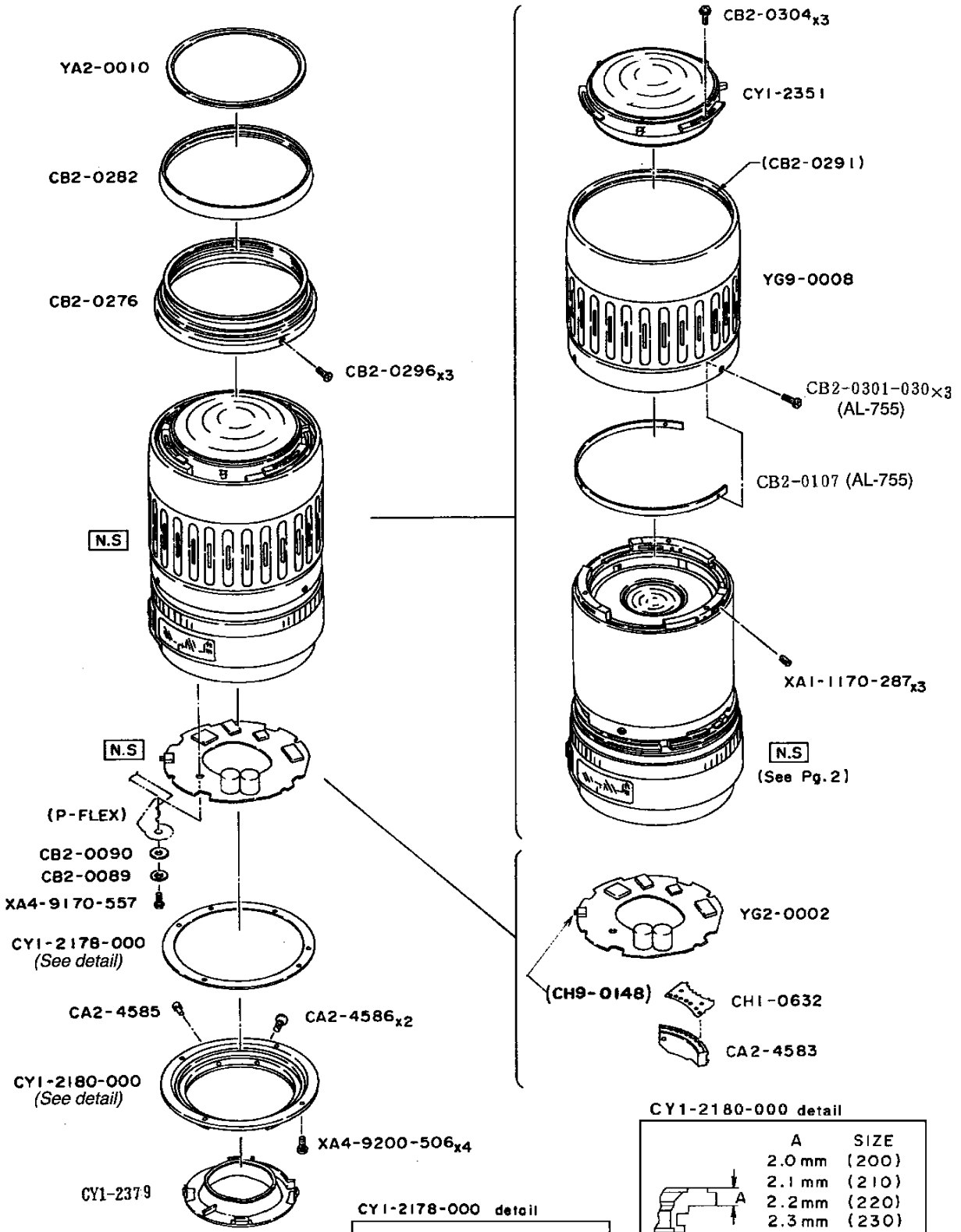


Canon

**EF 70-210mm 1:3.5-4.5 ULTRASONIC
REF.NO.C21-9561**

**PARTS
CATALOG**

CANON LENS EF 70-210 mm 1:3.5-4.5 ULTRASONIC



N.S

N.S

N.S
(See Pg. 2)

(P-FLEX)

CB2-0090

CB2-0089

XA4-9170-557

CY1-2178-000
(See detail)

CA2-4585

CA2-4586x2

CY1-2180-000
(See detail)

CY1-2379

XA4-9200-506x4

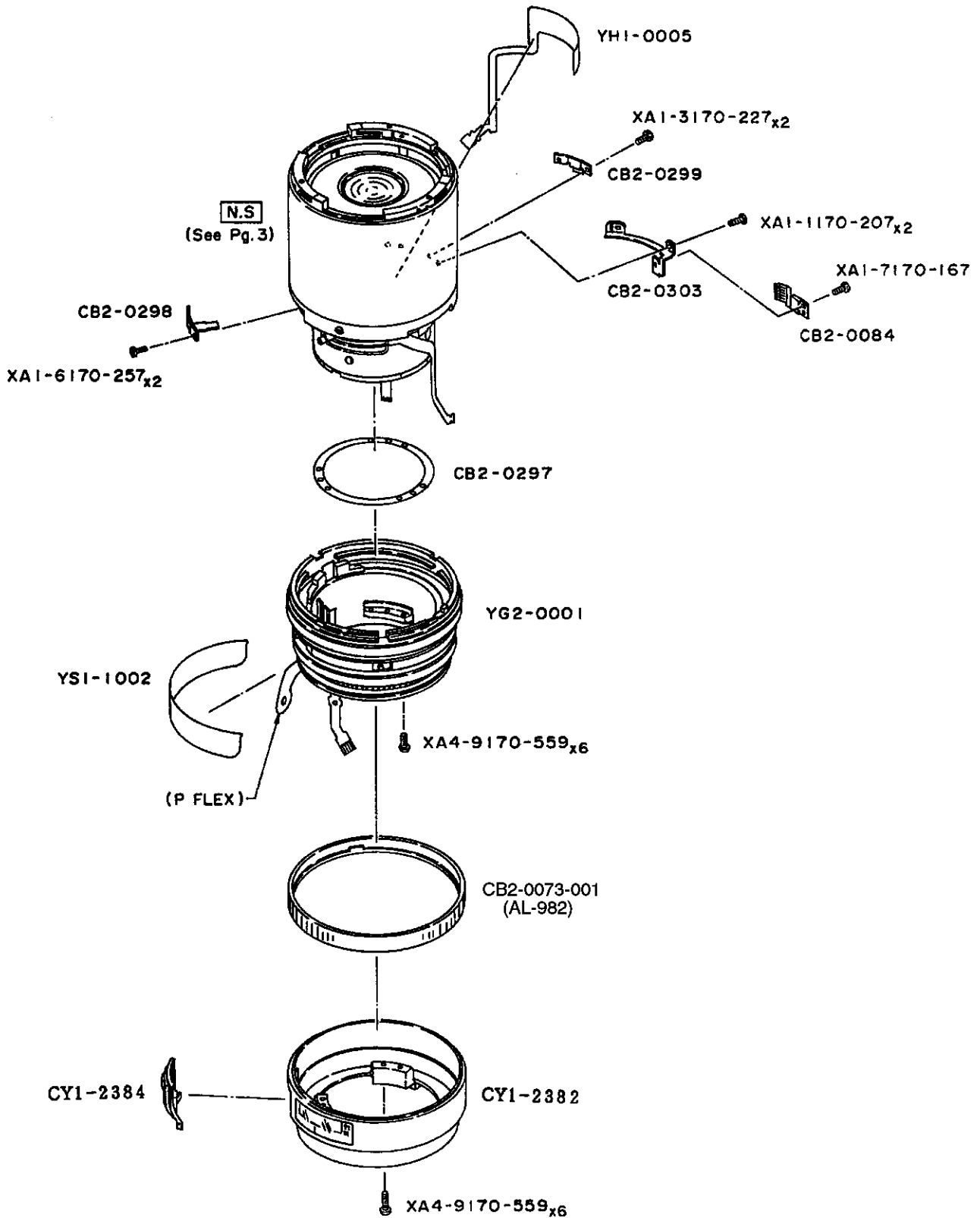
CY1-2178-000 detail

Service Use Only.		
	A	SIZE
	0.02 mm	(002)
	0.05 mm	(005)

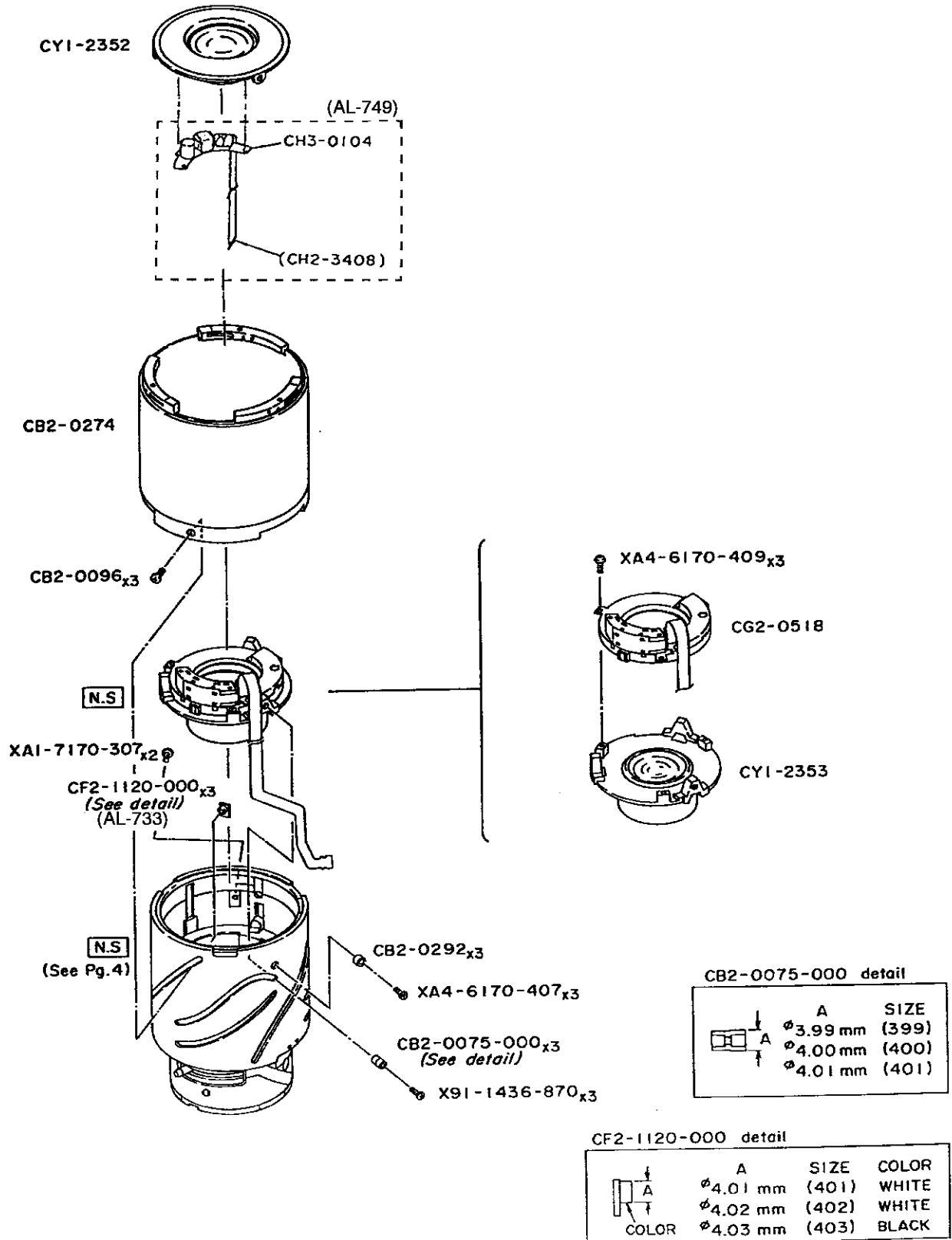
CY1-2180-000 detail

	A	SIZE
	2.0 mm	(200)
	2.1 mm	(210)
	2.2 mm	(220)
	2.3 mm	(230)
	2.4 mm	(240)
	2.5 mm	(250)
	2.6 mm	(260)
	2.7 mm	(270)

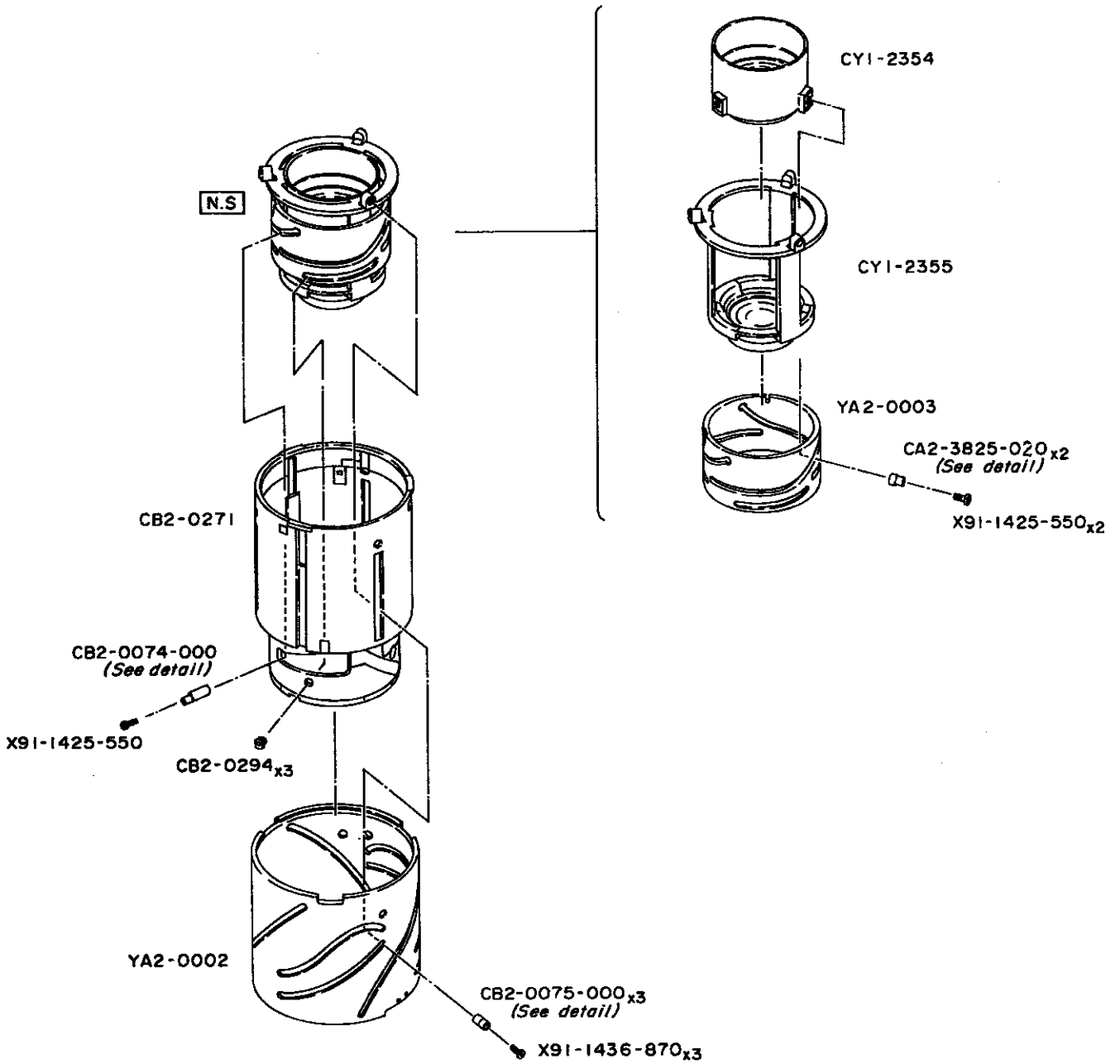
CANON LENS EF 70-210 mm 1:3.5-4.5 ULTRASONIC



CANON LENS EF 70-210 mm 1:3.5-4.5 ULTRASONIC



CANON LENS EF 70-210 mm 1:3.5-4.5 ULTRASONIC



CA2-3825-020 detail

A	SIZE
ϕ 4.00 mm	(400)
ϕ 4.01 mm	(401)
ϕ 4.02 mm	(402)

CB2-0074-000 detail

A	SIZE
ϕ 3.99 mm	(399)
ϕ 4.00 mm	(400)
ϕ 4.01 mm	(401)

0.2mm
ECCENTRIC

CB2-0075-000 detail

A	SIZE
ϕ 3.99 mm	(399)
ϕ 4.00 mm	(400)
ϕ 4.01 mm	(401)

PARTS LIST

REF.NO.C21-9561

NEW	PARTS NO.	CLASS	QTY	DESCRIPTION	PAGE
	CA2-3825-020 (400)	D	2	COLLAR, BLUE	4
	CA2-3825-020 (401)	D	2	COLLAR, BLUE	4
	CA2-3825-020 (402)	D	2	COLLAR, BLUE	4
	CA2-4583-000	D	1	CONTACT ASS'Y	1
	CA2-4585-000		1	SCREW, MOUNT STOPPER	1
	CA2-4586-000		2	SCREW, CROSS-RECESS, PH	1
	CB2-0073-001	E	1	RING, MANUAL FOCUSING	2
	CB2-0074-000 (399)	E	1	COLLAR, FOCUSING	4
	CB2-0074-000 (400)	E	1	COLLAR, FOCUSING	4
	CB2-0074-000 (401)	E	1	COLLAR, FOCUSING	4
	CB2-0075-000 (399)	E	6	COLLAR, FOCUSING	3,4
	CB2-0075-000 (400)	E	6	COLLAR, FOCUSING	3,4
	CB2-0075-000 (401)	E	6	COLLAR, FOCUSING	3,4
	CB2-0084-000	E	1	BRUSH, ZOOMING	2
	CB2-0089-000	E	1	HOLDER, FLEX	1
	CB2-0090-000	E	1	SPACER	1
	CB2-0096-000		3	SCREW,STUD	3
	CB2-0107-000	E	1	RING, COUPLING	1
	CB2-0271-000	E	1	BARREL, GUIDE	4
	CB2-0274-000	E	1	BARREL, FIXED	3
	CB2-0276-000	E	1	RING, FRONT	1
	CB2-0282-000	D	1	RING, PROTECTOR	1
	CB2-0291-000	E	1	SHIELD, DUST	1
	CB2-0292-000	E	3	COLLAR, ECCENTRIC	3
	CB2-0294-000	E	3	COLLAR, ZOOMING	4
	CB2-0296-000		3	SCREW, CROSS-RECESS, PH	1
	CB2-0297-000	E	1	SPACER	2
	CB2-0298-000	E	1	KEY	2
	CB2-0299-000	E	1	KEY, ZOOMING	2
	CB2-0301-030		3	SCREW, CROSS-RECESS, PH	1
	CB2-0303-000	E	1	HOLDER, CONTACT	2
	CB2-0304-000		3	SCREW, PH, W/LOCK WASHER	1
	CF2-1120-000 (401)	E	3	KEY	3
	CF2-1120-000 (402)	E	3	KEY	3
	CF2-1120-000 (403)	E	3	KEY	3
	CG2-0518-000	E	1	POWER DIAPHRAGM UNIT	3
	CH1-0632-000	E	1	M-FLEX PCB	1
	CH2-3408-000	E	1	CABLE, FLAT	3
	CH3-0104-000	D	1	CONVERTER, DC/DC	3
	CH9-0148-000	E	1	SWITCH, SLIDE	1
	CY1-2178-000 (002)	E	1	WASHER, MOUNT	1
	CY1-2178-000 (005)	E	1	WASHER, MOUNT	1
	CY1-2180-000 (200)	C	1	MOUNT, LENS	1
	CY1-2180-000 (210)	C	1	MOUNT, LENS	1
	CY1-2180-000 (220)	C	1	MOUNT, LENS	1
	CY1-2180-000 (230)	C	1	MOUNT, LENS	1
	CY1-2180-000 (240)	C	1	MOUNT, LENS	1
	CY1-2180-000 (250)	C	1	MOUNT, LENS	1
	CY1-2180-000 (260)	C	1	MOUNT, LENS	1
	CY1-2180-000 (270)	C	1	MOUNT, LENS	1
	CY1-2351-000	E	1	FRONT LENS ASS'Y	1
	CY1-2352-000	E	1	LENS G4,5 W/FRAME	3
	CY1-2353-000	E	1	LENS G6/7,8 W/BARREL	3
	CY1-2354-000	E	1	LENS G9/10,11 W/BARREL	4
	CY1-2355-000	E	1	LENS G12,13/14 W/BARREL	4

PARTS LIST

REF.NO.C21-9561

NEW	PARTS NO.	CLASS	QTY	DESCRIPTION	PAGE
	CY1-2379-000	E	1	COVER, BACK	1
	CY1-2382-000	E	1	INDEX RING ASS'Y	2
	CY1-2384-000	D	1	A/M SWITCH ASS'Y	2
	X91-1425-550		3	SCREW, CROSS-RECESS, PH	4
	X91-1436-870		6	SCREW, CROSS-RECESS, PH	3,4
	XA1-1170-207		2	SCREW, CROSS-RECESS, PH	2
	XA1-1170-287		3	SCREW, CROSS-RECESS, PH	1
	XA1-3170-227		2	SCREW, CROSS-RECESS, PH	2
	XA1-6170-257		2	SCREW, PH 1.7X2.5	2
	XA1-7170-167		1	SCREW, CROSS-RECESS, PH	2
	XA1-7170-307		2	SCREW, CROSS-RECESS, PH	3
	XA4-6170-407		3	SCREW, CROSS-RECESS, PH	3
	XA4-6170-409		3	SCREW, CROSS-RECESS, PH	3
	XA4-9170-557		1	SCREW, CROSS-RECESS, PH	1
	XA4-9170-559		12	SCREW, CROSS-RECESS, PH	2
	XA4-9200-506		4	SCREW, CROSS-RECESS, PH	1
	YA2-0002-000	E	1	BARREL, ZOOMING CAM	4
	YA2-0003-000	E	1	RING, FOCUSING CAM	4
	YA2-0010-000	D	1	COLLAR, ASSEMBLY	1
	YG2-0001-000	E	1	FOCUSING UNIT	2
	YG2-0002-000	E	1	MAIN CBA PCB	1
	YG9-0008-000	E	1	ZOOMING RING ASS'Y	1
	YH1-0005-000	E	1	FLEX, ZOOMING PCB	2
	YS1-1002-000	E	1	SCALE, FOCUSING	2

CANON LENS EF 70-210 mm 1:3.5-4.5 ULTRASONIC

