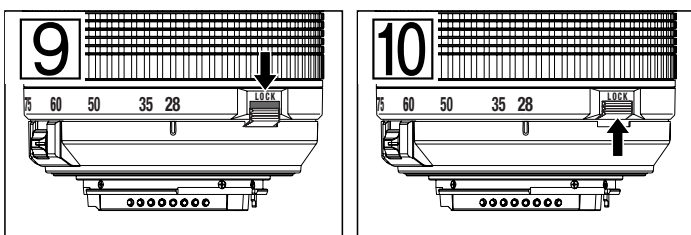
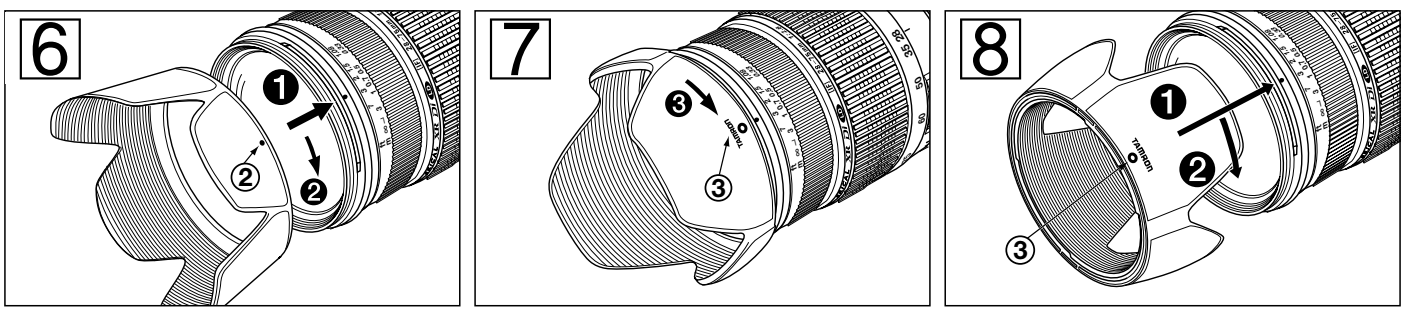
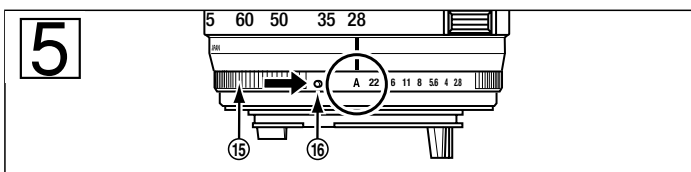
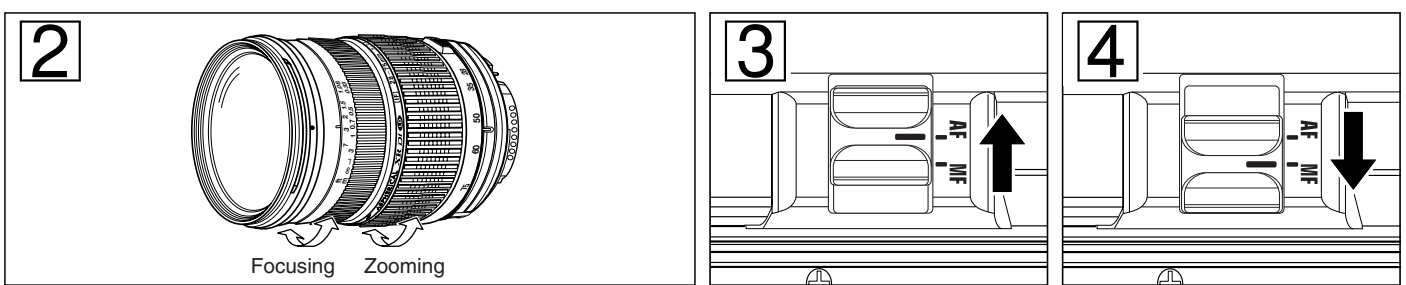
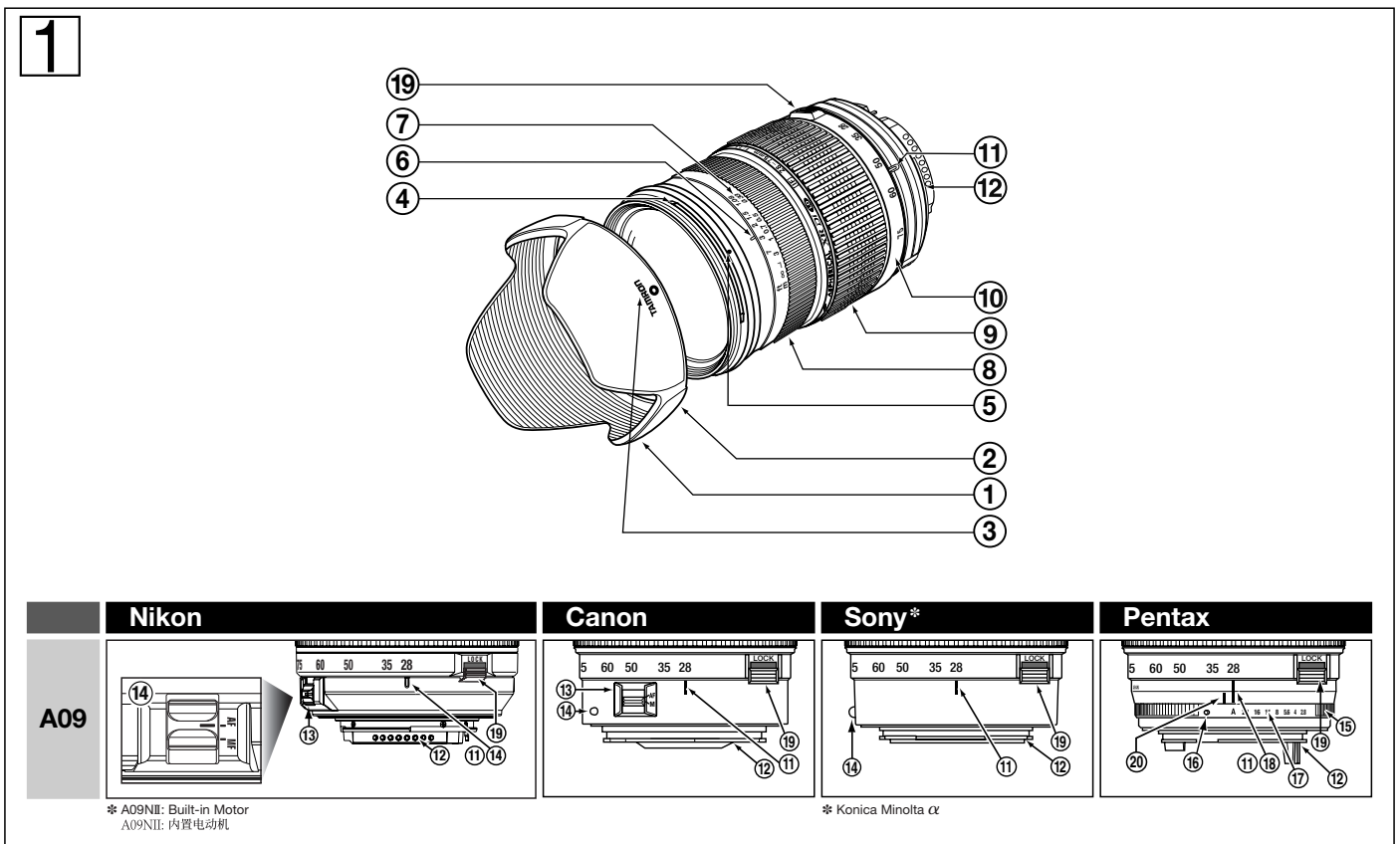


TAMRON

● SP AF28-75mm F/2.8 XR Di LD Aspherical [IF] Macro (Model A09)



CE

* The **CE** Marking is a directive conformity mark of the European Community (EC).
 * Das **CE**-Zeichen entspricht der EC Norm.
 * La marquage **CE** est un marquage de conformité à la directive CEE (CE).
 * La marca **CE** es marca de conformidad segun directiva de la Comunidad Europea (CE).
 * Il marchio **CE** attesta la conformita alla direttiva della Comunità Europea (CEE).
 * **CE** CE 标志表示符合欧洲共同体 (EC) 指标

The EEC Conformity Report applies to the Council Directive 98/336/EEC, 92/31/EEC, 93/68/EEC and is used by Tamron Co., Ltd., manufacturer of this product.

CE

SP AF28-75mm F/2.8 XR Di LD Aspherical [IF] MACRO (Model A09)										
Focal Length	Focus Distance	F/2.8	F/4	F/5.6	F/8	F/11	F/16	F/22	F/32	
28mm	0.33m	0.32 - 0.34	0.32 - 0.34	0.32 - 0.34	0.31 - 0.35	0.31 - 0.36	0.3 - 0.37	0.29 - 0.39	0.28 - 0.43	
	0.5m	0.48 - 0.52	0.48 - 0.53	0.47 - 0.54	0.46 - 0.56	0.44 - 0.59	0.42 - 0.64	0.4 - 0.72	0.37 - 0.92	
	0.7m	0.66 - 0.75	0.65 - 0.76	0.63 - 0.79	0.6 - 0.84	0.58 - 0.92	0.53 - 1.07	0.49 - 1.37	0.44 - 2.72	
	1m	0.92 - 1.11	0.89 - 1.15	0.85 - 1.23	0.8 - 1.36	0.75 - 1.59	0.67 - 2.22	0.61 - 4.41	0.52 - ∞	
	3m	2.27 - 4.4	2.09 - 5.47	1.87 - 8.25	1.61 - 36.59	1.38 - ∞	1.12 - ∞	0.93 - ∞	0.72 - ∞	
	∞	8.81 - ∞	6.43 - ∞	4.62 - ∞	3.27 - ∞	2.41 - ∞	1.69 - ∞	1.26 - ∞	0.9 - ∞	
35mm	0.33m	0.33 - 0.33	0.32 - 0.34	0.32 - 0.34	0.32 - 0.34	0.32 - 0.35	0.31 - 0.36	0.3 - 0.37	0.29 - 0.39	
	0.5m	0.49 - 0.51	0.48 - 0.52	0.48 - 0.53	0.47 - 0.54	0.46 - 0.56	0.44 - 0.59	0.42 - 0.63	0.4 - 0.72	
	0.7m	0.67 - 0.73	0.66 - 0.74	0.65 - 0.76	0.63 - 0.79	0.61 - 0.83	0.58 - 0.92	0.54 - 1.04	0.49 - 1.38	
	1m	0.94 - 1.07	0.92 - 1.1	0.89 - 1.14	0.85 - 1.22	0.81 - 1.34	0.75 - 1.59	0.68 - 2.07	0.6 - 4.4	
	3m	2.46 - 3.86	2.31 - 4.33	2.11 - 5.28	1.88 - 7.91	1.68 - 21.55	1.39 - ∞	1.16 - ∞	0.93 - ∞	
	∞	12.88 - ∞	9.38 - ∞	6.73 - ∞	4.74 - ∞	3.48 - ∞	2.42 - ∞	1.79 - ∞	1.28 - ∞	
50mm	0.33m	0.33 - 0.33	0.33 - 0.33	0.33 - 0.33	0.32 - 0.34	0.32 - 0.34	0.32 - 0.34	0.31 - 0.35	0.31 - 0.36	
	0.5m	0.49 - 0.51	0.49 - 0.51	0.49 - 0.51	0.48 - 0.52	0.48 - 0.53	0.47 - 0.54	0.46 - 0.56	0.44 - 0.59	
	0.7m	0.69 - 0.72	0.68 - 0.72	0.67 - 0.73	0.66 - 0.74	0.65 - 0.76	0.63 - 0.79	0.61 - 0.84	0.57 - 0.92	
	1m	0.97 - 1.03	0.96 - 1.05	0.94 - 1.07	0.92 - 1.1	0.89 - 1.14	0.85 - 1.22	0.81 - 1.33	0.75 - 1.59	
	3m	2.71 - 3.37	2.61 - 3.53	2.48 - 3.8	2.31 - 4.3	2.13 - 5.15	1.89 - 7.73	1.67 - 19.71	1.39 - ∞	
	∞	26.17 - ∞	19.04 - ∞	13.63 - ∞	9.57 - ∞	6.99 - ∞	4.83 - ∞	3.54 - ∞	2.47 - ∞	
60mm	0.33m	0.33 - 0.33	0.33 - 0.33	0.33 - 0.33	0.33 - 0.34	0.32 - 0.34	0.32 - 0.34	0.32 - 0.34	0.31 - 0.35	
	0.5m	0.5 - 0.51	0.49 - 0.51	0.49 - 0.51	0.48 - 0.52	0.48 - 0.53	0.47 - 0.54	0.46 - 0.56	0.44 - 0.59	
	0.7m	0.69 - 0.71	0.69 - 0.72	0.68 - 0.72	0.67 - 0.73	0.66 - 0.74	0.65 - 0.76	0.63 - 0.79	0.6 - 0.84	
	1m	0.98 - 1.02	0.97 - 1.03	0.96 - 1.05	0.94 - 1.07	0.92 - 1.1	0.89 - 1.15	0.85 - 1.22	0.81 - 1.35	
	3m	2.79 - 3.25	2.72 - 3.35	2.62 - 3.52	2.48 - 3.8	2.33 - 4.23	2.12 - 5.22	1.92 - 7.28	1.65 - 21.74	
	∞	37.63 - ∞	27.36 - ∞	19.57 - ∞	13.73 - ∞	10.01 - ∞	6.91 - ∞	5.05 - ∞	3.5 - ∞	
75mm	0.33m	0.33 - 0.33	0.33 - 0.33	0.33 - 0.33	0.33 - 0.33	0.33 - 0.34	0.32 - 0.34	0.32 - 0.34	0.32 - 0.34	
	0.5m	0.5 - 0.5	0.5 - 0.51	0.49 - 0.51	0.49 - 0.51	0.49 - 0.51	0.48 - 0.52	0.48 - 0.53	0.47 - 0.54	
	0.7m	0.69 - 0.71	0.69 - 0.71	0.69 - 0.72	0.68 - 0.72	0.67 - 0.73	0.66 - 0.74	0.65 - 0.76	0.63 - 0.79	
	1m	0.98 - 1.02	0.98 - 1.02	0.97 - 1.03	0.96 - 1.05	0.94 - 1.07	0.92 - 1.1	0.89 - 1.14	0.85 - 1.22	
	3m	2.85 - 3.17	2.8 - 3.24	2.73 - 3.34	2.62 - 3.51	2.5 - 3.75	2.33 - 4.24	2.15 - 5.03	1.91 - 7.31	
	∞	54.9 - ∞	39.91 - ∞	28.53 - ∞	20 - ∞	14.57 - ∞	10.04 - ∞	7.33 - ∞	5.06 - ∞	

ENGLISH

Thank you for purchasing this Tamron lens as the latest addition to your photographic equipment. Before using your new lens, please read the contents of this Owner's Manual thoroughly to familiarize yourself with your lens and the proper techniques for creating the highest quality images possible. With proper handling and care, your Tamron lens will give you many years of photographing beautiful and exciting pictures.

- **Explanations precautions that help to prevent problems.**

- Explains things you should know in addition to basic operations.

NOMENCLATURE (Refer to Fig. ①, if not specified)

- ① Lens hood
- ② Hood attaching alignment mark
- ③ Hood attaching indicator
- ④ Filter ring
- ⑤ Hood attaching index
- ⑥ Distance index
- ⑦ Distance scale
- ⑧ Focus ring
- ⑨ Zoom ring
- ⑩ Focal length scale
- ⑪ Zoom index
- ⑫ Lens mount/Lens mount contacts
- ⑬ AF-MF switch (Canon, Nikon)
- ⑭ Lens attachment mark
- ⑮ Aperture ring (Pentax)
- ⑯ AE lock (Pentax)
- ⑰ Aperture scale (Pentax)
- ⑱ Aperture Index (Pentax)
- ⑲ Zoom ring lock switch
- ⑳ F-number index mark for long focal lengths

SPECIFICATIONS

	A09
Focal Length	28-75 mm
Maximum Aperture	F/2.8
Angle of View	75°23' - 32°11'
Lens Construction	14/16
Minimum Focusing Distance	0.33 m
Maximum Magnification Ratio	1:3.9 (at 75 mm)
Filter Size ϕ	67 mm
Length	92.05 mm
Diameter ϕ	73 mm
Weight	510 g
Lens Hood	DA09

- **Length and weight listed in lens specifications are for lens with Nikon mount.**
- **Feature and cosmetic design of lens may change without notice.**

ATTACHING AND REMOVING THE LENS (Ref. Fig. ①)

■ How to mount the lens

Remove the rear cap of the lens. Align the Lens attachment mark (⑭) on the lens barrel with its counterpart on the camera mount and insert the lens. Rotate the lens clockwise (in case of Nikon models, counter-clockwise) until it clicks into the locked position.

■ How to detach the lens

Press the lens release button on the camera, turn the lens counter-clockwise (in case of a Nikon lens, clockwise), and lift the lens off the camera's lens mount.

- For further details, please read the instruction manual of your camera.

FOCUSING (Autofocus) (Ref. Figs. ①, ②, ③)

Switch the focusing mode switch of the camera to AF mode (auto focus) in case of a Sony or Pentax camera. In case of a Canon or Nikon camera, switch the AF/MF switch (⑬) on the lens to AF. (Fig. ③) Press the shutter button lightly while looking through the viewfinder. The lens focuses automatically. An in-focus mark will light-up in the viewfinder when the lens accurately focuses on the main subject. Press the shutter button all the way to take the image.

- **When set on AF mode, interfering with focus ring (⑧) may cause serious damage to the lens mechanism.**

- The distance scale (⑦) is marked for guidance purposes. The actual focal point may slightly differ from the distance marked on the focal length index.
- For further details, please read the instruction manual of your camera.

FOCUSING (Manual Focus) (Ref. Figs. ①, ②, ④)

Switch the focusing mode switch of the camera to MF mode (manual focus) in case of a Sony or Pentax camera.

In case of a Canon or Nikon camera, switch the AF/MF switch (⑬) on the lens to MF. (Fig. ④)

Focus manually by rotating the focus ring (⑧) while looking through the camera's viewfinder. The main subject in the viewfinder will be sharp when the lens is focused correctly.

- Even in the MF mode, when turning the focus ring (⑧) and simultaneously pressing the shutter button halfway, the focus aid function lamp lights up when the picture is in focus.
- At infinity, make sure the image in the viewfinder appears sharp. The infinity position on the A09 is made with certain allowances to insure proper focus under a variety of conditions.
- For further details, please read the instruction manual of your camera.

ZOOMING (Ref. Figs. ①, ②)

Rotate the zoom ring (⑨) of the lens while looking through the viewfinder and compose your image at the chosen focal length.

ZOOM LOCK SWITCH (Ref. Fig. ⑨, ⑩)

Model A09 is equipped with a newly developed zoom lock switch mechanism which prevent lens barrel from extending towards long focal length, while hanging around the neck. Activate the switch at 28 mm setting to stop the lens barrels from rotating and extending.

■ How to activate the zoom lock switch mechanism

- 1) Locking: Set the lens to the 28-mm position. Move the zoom lock switch (⑨) toward the camera for locking the zoomring. In case of model A09, the lens barrel is locked in position when the portion beneath "Lock" is shown in red and the lens barrel does not rotate or extend by its own weight.
- 2) Releasing: Push the switch away from your camera. The lens barrel is now free to rotate and extend for zooming.

- **The zoom lock switch can not be activated unless the lens is set to the 28-mm position. Do not force the lock switch or try to rotate the lens barrel while locked.**
- **The zoom lock mechanism is made to prevent the lens barrel from extending while carried around the neck. When not locked and the zoom lens may change its focal length during a long exposure used in a low or high angle position.**

- The lens can be used at 28-mm setting for picture taking even while in the focused position.

LENS APERTURE AND AE MODE (Ref. Figs. ①, ⑤)

■ Setting the aperture with Nikon, Canon or Sony camera

Set the aperture with aperture selection control on the camera body in accordance with the shooting mode.

■ Setting the aperture with Pentax camera

The camera may have three ways to set the aperture: adjusting the lens aperture ring, setting from the camera, and setting from both the lens and the camera.

- Setting the aperture by adjusting the lens aperture ring
Turn the aperture ring (⑰) to select the desired aperture (f-stop).
- Setting the aperture from the camera
Set the aperture ring (⑰) to "A" and select the desired aperture (f-stop) from the camera's aperture selection control.

- For further details, please red the instruction manual of your camera.

LENS HOOD (Ref. Figs. ①, ⑥ to ⑧)

A bayonet-type lens hood is provided as standard equipment. We recommend shooting with the hood attached whenever possible as the lens hood eliminates stray light, which is harmful to the picture. However, please be aware of the precautions stated in the next section when your camera is equipped with a built-in flash.

■ Attaching the Lens Hood (Ref. Figs. ⑥ & ⑦)

Align Hood attaching alignment mark (②) on the hood with the hood attaching index (⑤) on the lens. Press the hood lightly onto the hood attaching bayonet ring and then rotate it clockwise to secure (Fig. ⑥). The lens hood will be secure when the hood attaching indicator (③ "TAMRON ○" is at the top (Fig. ⑦).

- **Improper attachment of a hood may cause large shadowed areas in your pictures.**

■ Stowing lens hood on the lens (Ref. Fig. ⑧)

- 1) Reverse the lens hood. Point the lens toward the opening, then align the hood attaching index (⑤) on the lens with the hood attaching indicator (③ (TAMRON ○) on the hood.
- 2) Turn the hood clockwise until the alignment mark (●) ② is at the top to set it. (Fig. ⑧)

PRECAUTIONS IN SHOOTING

- The optical design for Di takes into consideration the various features of digital SLR cameras. However, due to the configuration of digital SLR cameras, even when the auto focus accuracy is within specifications, the focal point may be a little forward or behind the optimum point when shooting with auto focus under some conditions.
- When the built-in flash on the camera is used, adverse photographic phenomena such as corner illumination fall-off or vignetting at the bottom part of the image may be observed, especially in wide angle ranges. This is due to the inherent limitation of the coverage of the built-in flash, and/or the relative position of the flash to the edge of the lens barrel which causes shadows on the image. It is strongly recommended to use a suitable separate flash unit provided by the camera manufacturer for all flash photography. For further details, please read the "built-in flash" article on the instruction manual of your camera.
- When using the lens in the telephoto focal range, please be cautious of camera shake. To avoid camera shake with digital cameras, use higher ISO setting; for film cameras, use higher ISO film to obtain higher shutter speeds. Using a tripod or monopod is also effective.
- When set on AF mode, interfering with the focus ring may cause serious damage to the lens mechanism.
- Certain camera models may indicate the maximum and minimum aperture values of the lens in approximate numbers. This is inherent to the design of the camera and not an indication of an error.
- This lens does not have an infrared index line.

TO ENSURE LONG-TERM SATISFACTION

- Avoid touching the glass element surface. Use a photographic lens cloth or blower to remove dust from the lens element surface. When not using the lens, always place a lens cap on it for protection.
- Use a lens cleaning tissue or lint cloth with a drop of cleaning solution to remove fingerprints or dirt on the glass lens surface with a rotary motion from the center to the edge.
- Use a silicon cloth to clean your lens barrel only.
- Mildew is an enemy of your lens. Clean the lens after shooting near water or in any humid place. Store your lens in a clean, cool and dry place. When storing the lens in an lens case, store it with commercially available drying agent such as silica gel, and change the agent occasionally. If you find mildew on your lens, consult an authorized repair shop or nearby photographic store.
- Do not touch the lens-camera interface contacts since dust, dirt and/or stains may cause a contact failure between the lens and camera.
- When using your equipment [camera and lens] in an environment where the temperature changes from one extreme to the other, make sure to put your equipment temporarily in a case or a plastic bag for a length of time in order for the equipment to go through a gradual temperature shift. This will reduce potential equipment trouble.