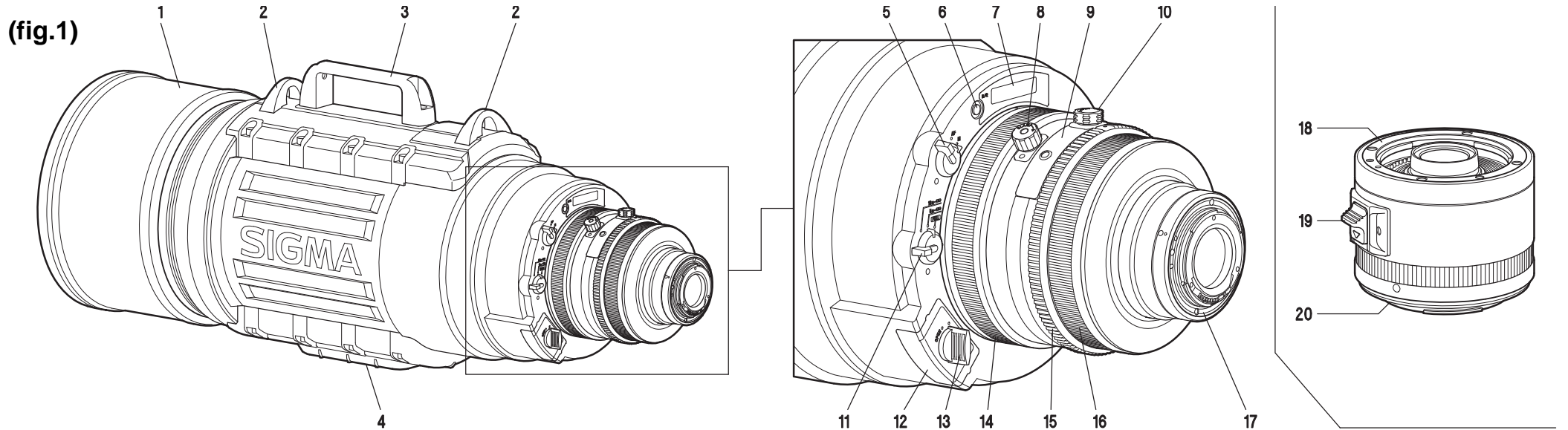


SIGMA

APO 200-500mm F2.8/400-1000mm F5.6 EX DG

INSTRUCTIONS



Thank you very much for purchasing a Sigma Lens. In order to get the maximum performance and enjoyment out of your Sigma lens, please read this instruction booklet thoroughly before you start to use the lens.

PACKAGE CONTENTS / ACCESSORIES

Please make sure that the following standard accessories are included with your lens. If any of them is missing, contact the retailer from whom you purchased your lens immediately.

1. Lens body (Lens Hood, Filter Holder, DG UV Filter and Rear Cap supplied)
2. 400-1000mm F5.6 Attachment (Front Cap and Rear Cap supplied)
3. Safety Strap
4. Dedicated Circular Polarizing (C-PL) Filter
5. Li-ion Battery BP-21 (Battery Cover is included)
6. Battery Charger BC-21
7. Battery Charger Cable
8. Carrying Case
9. Instruction Manual
10. Warranty Card
11. SIGMA Limited Warranty & Service Network

DESCRIPTION OF THE PARTS (fig.1)

Lens body

1. Lens Hood
2. Safety Strap Cringle
3. Carrying Handle
4. Tripod Socket
5. Focus Mode Switch
6. m/ft Switch Button
7. LCD Panel
8. Rear Barrel Fixing Knob
9. Filter Holder
10. Filter Holder Fixing Knob
11. Focus Limiter
12. Battery Compartment Cover
13. Battery Compartment Cover Fixing Knob
14. Zoom Ring
15. Filter Rotator Ring
16. Focus Ring
17. Mount

400-1000mm F5.6 Attachment

18. Mount (For attaching to the lens body)
19. Lens Detachment Lever
20. Mount (For attaching to the camera body)

APO LENS

APO lenses use high reflective index and low dispersion glass in some lens elements. This special glass normally has some tiny air bubbles but it does not affect the optical performance of your lens.

NIKON AF TYPE CAMERAS

- This lens functions in the same way as a G Type auto-focus Nikon lens (without an aperture ring). Functions may be restricted depending on the lens/camera combination. For more details, please refer to the camera's instruction manual.
- The AF function of this lens can be used with cameras that support built-in lens motors.

SAFETY PRECAUTIONS

Warning !!

Using the product and disregarding this warning sign may cause serious injury or other dangerous results.

Caution !!

Using the product disregarding this caution sign may cause injury or damage.

Warning !! (Lens and Attachment)

- ⊘ After attaching a lens, do not look directly at the sun, through the viewfinder. Doing so can cause damage to the eye or loss of eyesight.
- ⊘ Do not look at the sun with the lens of your camera; otherwise you can lose your eyesight.
- ⚠ The weight of this lens is very heavy. When using the safety strap, please avoid causing any injury to your body.

Caution !! (Lens and Attachment)

- ⚠ Do not aim your lens or camera & lens combinations toward the sun; light entering through the lens could cause damage to eyes or fire.
- ⚠ The mount part of the lens is complicated. Improper usage may cause injury.
- ⚠ Please select a sturdy tripod that is capable of supporting this lens. If the tripod is not sturdy enough, it may cause the lens to fall.
- ⚠ When carrying the lens body while the camera body is attached, please grip the lens from its carrying handle. If you carry the lens by holding the camera body only, the mount part of the lens or the camera body may brake.

Warning !! (Battery and Battery Charger)

- ⚠ Keep batteries in a safe place out of children's reach. If a battery is swallowed, call for emergency medical aid immediately.
- ⊘ Do not use any battery other than the designated battery types. Doing so may cause battery explosion, battery leakage, lens damage, injury or fire.
- ⊘ Do not use any battery other than that specified in this booklet. Otherwise, it might cause battery explosion, battery leakage, lens damage, injury or fire.
- ⊘ Avoid any shock, shake and drop. Ignoring this warning may cause battery explosion, or battery leakage, resulting in injury or fire.
- ⊘ Never disassemble, short circuit, heat, batteries or put batteries into fire. Ignoring this warning may cause battery explosion, battery leakage, injury or fire.
- ⊘ Please only use charger with dedicated battery. Charging other battery types causes battery explosion, battery leakage, lens damage, injury or fire.

If for some reason, the camera, lens or batteries emit smoke, or if overheating or the smell of burning is detected, remove the batteries, taking care to avoid being burned. Take the camera and the lens to the retailer where you bought it, or to an authorized Sigma service station.

Please follow all guidelines, rules and regulations of your community regarding the disposal of batteries.

If you do not use the lens for a long period of time, remove the battery.

Do not attempt to modify or disassemble this product. Doing so can cause fire or electric shock.

If water or a foreign object gets into the battery charger, unplug from the AC outlet immediately. It could cause fire or electric shock. Do not place any heavy objects on the power cord, or pull it, bend it unduly, or heat it. It could damage the cord, and could cause fire or electric shock.

Do not use this product with AC voltage other than the specified power supply voltage (AC100V - 240V). Doing so could cause fire or electric shock.

Use a safety approved AC power cord as is specified by each country.

Caution !! (Battery and Battery Charger)

Do not pull the AC power cord, when disconnecting the battery charger from the AC outlet. It could cause fire or electric shock due to damaged cord. Always take hold of the molded AC plug, when unplugging it from the outlet.

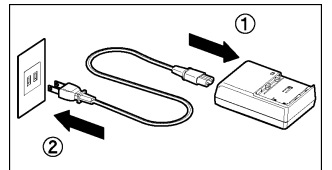
Do not cover the Battery Charger with cloth, cushions, etc. It could cause excessive heat, deform the case, and cause fire.

When Battery Charger is not used unplug it from the AC outlet.

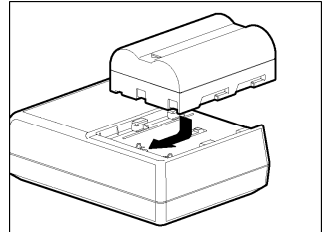
TO CHARGE THE BATTERY

A lithium ion battery BP-21 is provided with this lens. Charge the battery, before using the camera first time. Please charge the battery by the supplied battery charger BC-21, when no charge remains.

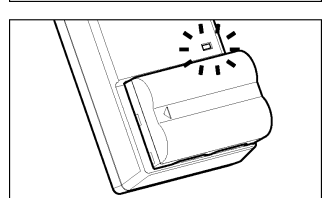
1. Connect the power cable to the charger and insert the plug into the wall outlet.



2. Attach the battery, by sliding it in the direction of the arrow, as shown in the diagram.



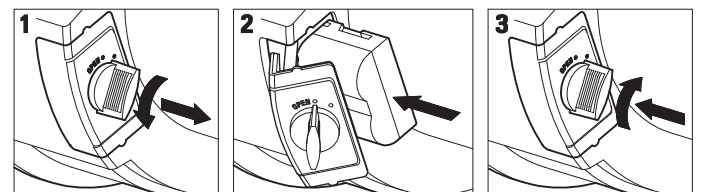
- Charge lamp will be on during charging.
- It takes about 150 minutes to recharge the battery.
- Required time for recharging the battery depends on the ambient temperature and status of recharge level.



When the charge lamp goes out, charging is completed.

- Remove the battery from the charger and remove the power cable plug from the wall outlet.
- We recommend charging the battery before using the camera again. If it is not used for several days, battery performance decreases.
- In the case that the number of possible shots will decrease extremely after charging, it may indicate the end of battery life. Please purchase a new battery.

LOADING THE BATTERY



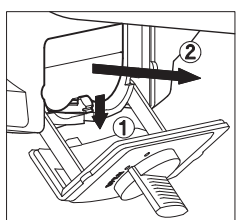
1. To open the battery compartment cover, turn the battery compartment cover fixing knob counter-clockwise, as shown in the instruction.
2. Insert the battery until it reaches the contact points of the lens as shown in the illustration.
3. Insert the battery until it locks into place.
4. Close the battery compartment cover and then turn the battery compartment cover fixing knob clockwise to fix the battery compartment cover in place.

• If the battery compartment cover is turned in its improper position, the battery compartment cover may brake.

• Inserting the battery will "reset" the lens. Resetting the lens will set the zoom position to the wide focal length and set the focusing to the infinity, automatically. In addition, all icons in the LCD panel will blink and shooting will not be possible. It will be possible to take a picture once the lens is reset.

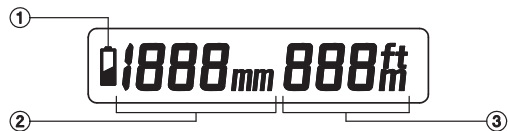
TO REMOVE THE BATTERY

Eject the battery by sliding the battery compartment cover latch in the direction of the arrow, as shown in the illustration.



LCD PANEL

This lens is equipped with the LCD panel. The meaning of functions displayed from the LCD panel explained below.



- ① Battery Indicator
- ② Focal length Indicator
- ③ Shooting range Indicator

CHECKING THE BATTERY STATUS

When the power of the camera body is on, the battery icon, which shows the capacity of the battery, is shown on the LCD panel. Explanations of the symbols are given as follows.

	No Icon	The battery strength is sufficient.
	Display Icon	The battery level is low and the battery will need to be changed soon.
	Blinking Icon	The power of the battery is insufficient, replace the battery immediately.

SAFETY STRAP

The supplied safety strap is used to prevent the lens dropping when being attached to a tripod. Please attach the safety strap to the safety strap cringle.

- When carrying the lens body, please hold the carrying handle. Do not use safety strap for carrying the lens.
- The weight of this lens is very heavy. When using the safety strap, please avoid causing any injury to your body.

FIXING THE LENS BODY TO THE TRIPOD

- The weight of this lens is very heavy. Please select a sturdy tripod for this lens that will be capable of supporting it.
- To avoid dropping it, please attach or remove the lens to the tripod with more than two people.
- The tripod socket of this lens has three screw holes. Both sides are used for popular 1/4 inch screw and the center hole is used for 3/8 inch screw.
- The mount can be rotated counter-clockwise by loosening the rear barrel fixing knob. It is possible to change the attaching camera to vertical or horizontal, easily.
- The Carrying Handle has two holes, which can be used as a sighting device when you first target the subject. Please aim the lens at your subject while looking through these holes.

ATTACHING TO CAMERA BODY

When this lens is attached to the camera body it will automatically function in the same way as the camera manufacturer's lens. Please refer to the instruction booklet for your camera body.

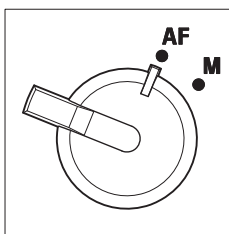
- On the lens mount surface, there are a number of couplers and electrical contacts. Please keep them clean to ensure proper connection.

SETTING THE EXPOSURE MODE

The Sigma lens functions automatically once attached to the camera. Please refer to the camera instruction book.

FOCUSING

For autofocus operation, set the focus mode switch on the lens to "AF" position. (Select the autofocus mode on your camera body for Nikon AF.) If you wish to focus manually, set the focus mode switch on the lens to the "MF" position. Manual focus can be achieved by turning the focus ring.



- This lens also permits manual focusing even in the autofocus mode. With the camera set to the One-Shot AF (AF-S) mode, it is possible to manually override the autofocus while the shutter release button is pressed halfway.
- The viewfinders of some Nikon AF cameras have indicators to display the focus status. The "•" symbol indicates that correct focus has been set, "▶" indicates that focus is set in front of the subject, and "◀" indicates that focus is set behind the subject. When this AF lens is used with Nikon AF cameras in MF mode, please adjust the lens' focus until the "•" symbol is visible.
- The shooting range value is displayed in the LCD panel. It is possible to change the indication to m (meter) or ft (feet). To change it, press the m/ft switch button.
- The value of shooting range in the LCD panel is showed is 23 steps with m (meter) or 59 steps with ft (feet) (Please refer the table 1). The nearest value in the following table will be displayed depending on the actual shooting range.

Table 1

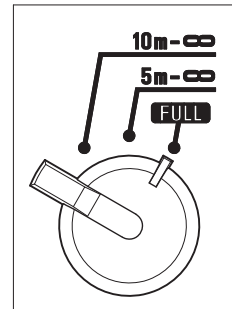
m	ft
∞	∞
120 m	390 ft
60 m	190 ft
40 m	130 ft
30 m	100 ft
24 m	80 ft
20 m	60 ft
17 m ~ 2 m (Display per 1m)	59 ft ~ 8 ft (Display per 1ft)

FOCUS LIMITER SWITCH

This lens is equipped with the focus limiter switch, which enables a limit of the AF range.

It is possible to switch to the following three modes.

- FULL (Tele side 5m/Wide side 2m ~ ∞)
- 5m ~ ∞
- 10m ~ ∞



ZOOMING

Rotate the Rubber grip on the zoom ring to the desired position.

- The focal length value in the LCD panel is shown is 16 steps (Please refer the table 2). The nearest value from table 2 will be displayed depending on the position of the zoom ring.

Table 2

Without Attachment	With Attachment
200 mm	400 mm
210 mm	420 mm
220 mm	440 mm
230 mm	460 mm
240 mm	480 mm
250 mm	500 mm
260 mm	530 mm
280 mm	560 mm
290 mm	590 mm
310 mm	620 mm
330 mm	660 mm
350 mm	710 mm
380 mm	760 mm
410 mm	820 mm
450 mm	900 mm
500 mm	1000 mm

400-1000MM F5.6 ATTACHMENT

The addition of the supplied 400-1000mm F5.6 Attachment produces twice focal length (400-1000mm F5.6) zoom lens.

HOW TO ATTACH OR REMOVE

Firstly, attach the Attachment unit to the lens body, and then attach the camera body.

To remove the Attachment from the lens body, turn the Attachment in the opposite direction, whilst sliding the lens' removable lever.

- It is not possible to use any other tele converter except the supplied Attachment with this lens.
- The supplied Attachment cannot be used with any other lenses.

LENS HOOD

This lens hood helps to prevent flare and ghosted images caused by extraneous light. It is attached to the lens body before shipment from the factory

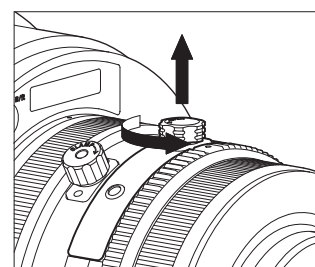
- After using the lens, please store the lens in the carrying case after attaching the lens hood.

FILTER

It is not possible to attach the lens filter at the front of lens body. To attach a filter to the lens assembly, please use the filter holder that is inserted into the lens barrel near the rear of the lens assembly. This unit has a removable filter holder that fits a 72mm filter.

HOW TO USE FILTER HOLDER

The DG UV filter is set in the filter holder in advance. Turn the filter holder fixing knob counter-clockwise and then pull the filter holder out.

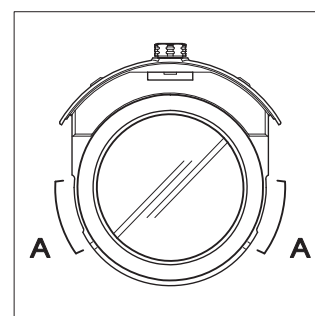


REMOVING THE FILTER

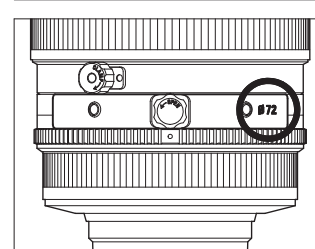
To remove the filter from the filter holder, rotate the filter counter-clockwise holding part A to avoid rotating the filter holder.

ATTACHING THE FILTER

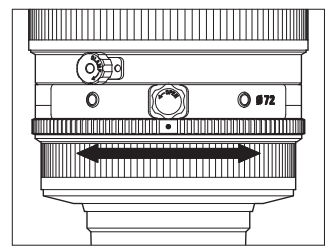
To avoid rotating the filter holder, rotate the filter clockwise holding part A. To fix the filter, please rotate the filter until it stops the rotating.



To re-install the filter holder into the lens barrel, the notation (ø72) must be on the right side of the holder while the lens faces away from you. Please insert the filter holder as far as it can go into the slot. Rotate the filter holder fixing knob clockwise to fix the Filter Holder.



- Gray colored Circular Polarizing (C-PL) Filter is supplied with your lens as one of its accessories. Please turn your filter rotator ring while looking through the viewfinder to set the desired picture taking position.



- This lens has been designed to deliver optimum performance with a filter installed in the lens assembly. The quality of the picture decreases if the filter is not installed inside the lens. Please, always use a filter inside the lens assembly. Stray light and dust entering from the insertion slot of the filter holder can affect exposure and cause poor pictures if the filter holder is not in the lens assembly.
- The position of the white dot on the rotator ring is important for filters that use rotation movement as a filtering process, such as Circular Polarizing (C-PL) Filters.
- It is possible to use any other 72mm filters. However, if the filters have the thickness of more than 5mm (screw thread excluded) or diameter of more than 75mm, they cannot be attached.
- Please do not attach a PL filter except the dedicated filter supplied with this lens. If any other filter is attached, it may be impossible to remove.
- Supplied circular PL filter cannot be used with any other lenses.

FLASHGUNS AND AF AUXILIARY LIGHT

Vignetting will occur if the lens is used with the cameras built-in flash and AF auxiliary light. In addition, when an external flashgun is attached to the camera's hot shoe and fired, it will cause vignetting.

BASIC CARE AND STORAGE

- Avoid any shocks or exposure to extreme high or low temperatures or to humidity.
- For extended storage, choose a cool and dry place, preferably with good ventilation. To avoid damage to the lens coating, keep away from mothballs or naphthalene gas.
- Do not use thinner, benzine or other organic cleaning agents to remove dirt or finger prints from the lens elements. Clean by using a soft, moistened lens cloth or lens tissue.
- Prevent water, sand, dust and other foreign getting into the lens body. This can result in critical damage which can not be repaired. When rain or drops of water fall on the lens body, please wipe away them by clean towel.
- Sudden temperature changes may cause condensation or fog to appear on the surface of the lens. When entering a warm room from the cold outdoors, it is advisable to keep the lens in the case until the temperature of the lens approaches room temperature.

QUALITY ASSURANCE AND AFTER SERVICE

Warranty terms and warranty card are on a separate sheet, attached. Please refer to these materials for details.

TECHNICAL SPECIFICATIONS

Lens body

Lens construction	13 - 17
Angle of View	12.3 - 5°
Minimum Aperture	22
Minimum Focusing Distance	2m (Wide side) - 5m (Tele side)
Magnification	1:3.5
Filter Size	72mm (Drop in - rear)
Dimensions Dia.xLength	236.5x726mm (9.31x28.6in)
Weight	15,700g (554oz)

Dimensions and weight include the SIGMA mount.

400-1000mm F5.6 Attachment

Lens construction	6 - 7
Focal length	2x that of a master lens
Magnification	2x that of a master lens
Dimensions Dia.xLength	71x52.8mm (2.8x2.08in)
Weight	288g (10.2oz)

Dimensions and weight include the SIGMA mount.



The CE Mark is a Directive conformity mark of the European Community (EC).

SIGMA (Deutschland) GmbH

Carl-Zeiss-Str. 10/2, D-63322 Roedermark, Germany

Verkauf: 01805-90 90 85-0 Service: 01805-90 90 85-85 Fax (Service): 01805-90 90 85-35



Disposal of Electric and Electronic Equipment in Private Households

Disposal of used Electrical & Electronic Equipment (Applicable in the European Union and other European countries with separate collection systems)

This symbol indicates that this product shall not be treated as household waste. Instead it shall be collected separately for the recycling of electrical and electronic equipment.

If the new products are purchased, this product might be handed over to the distributor or the collection system of waste electrical and electronic equipment eventually. By ensuring this product is disposed of correctly, you will help prevent potential negative consequences for the environment and human health, which could otherwise be caused by inappropriate waste handling of this product or components of this product.

If this product is disposed illegally, it might cause a possibility of penalties.

For more detailed information about recycling of this product, please contact your local city office, your household waste disposal service or the shop where you have purchased the product.

SIGMA CORPORATION

2-4-16 Kuriki, Asao-ku, Kawasaki-shi, Kanagawa 215-8530 Japan

Phone : 044 - 989 - 7430 Fax : 044 - 989 - 7451