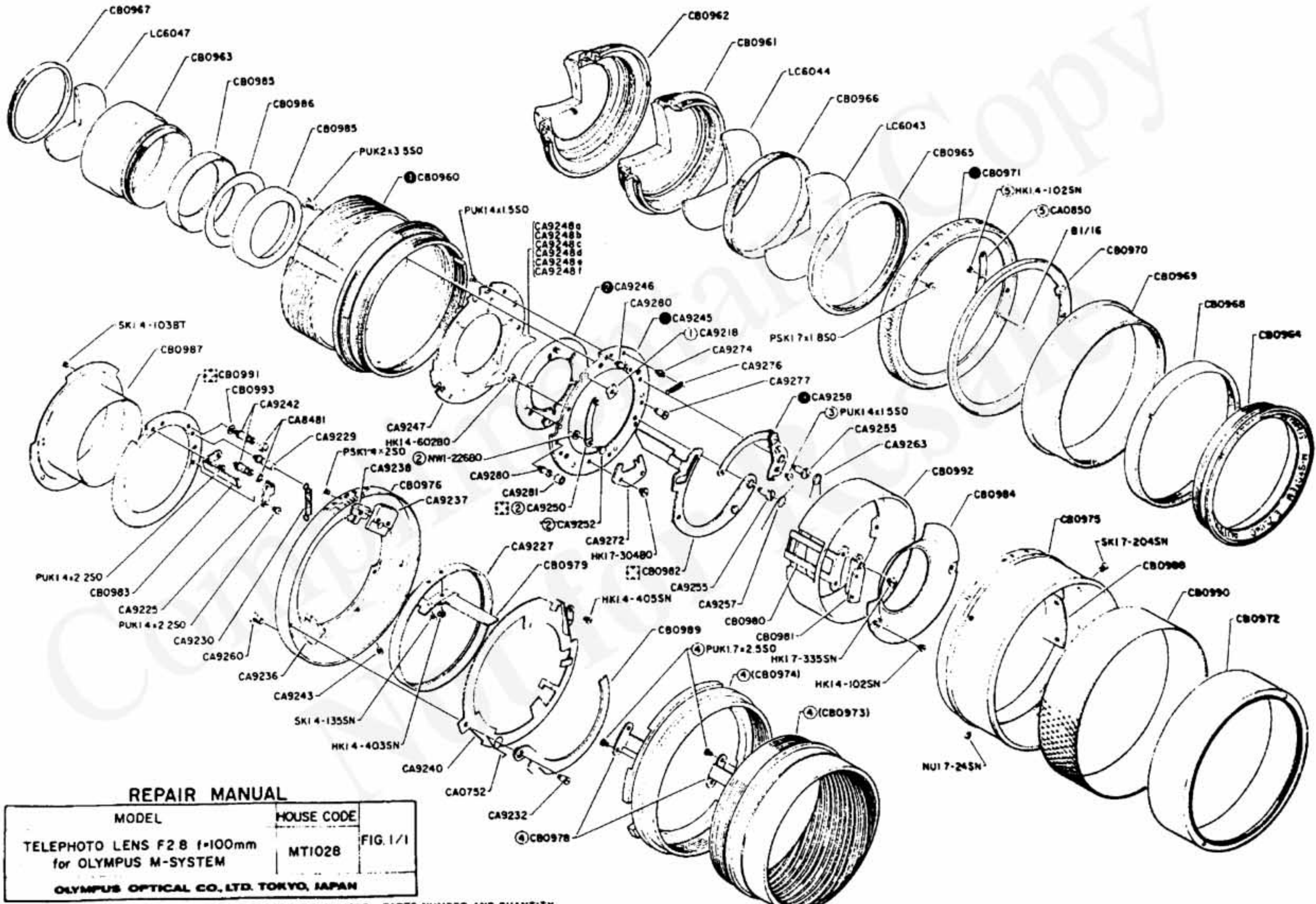


EXPLODED PARTS DIAGRAM

MODEL	HOUSE CODE or UNIT	FIG.
OLYMPUS OM-SYSTEM E.ZUIKO AUTO-T 1:2.8 f=100mm	MT1028 TYPE-1 (C)	1/1
OLYMPUS OM-SYSTEM ZUIKO-MG AUTO-T 1:2.8 f=100mm 100mm 1:2.8	MT1028 TYPE-2 (NMC)	
OLYMPUS OPTICAL CO., LTD. TOKYO, JAPAN		

NOTE: WHEN ORDERING FOR SPARE PARTS, PLEASE CLARIFY A MODEL, PARTS NUMBER AND QUANTITY

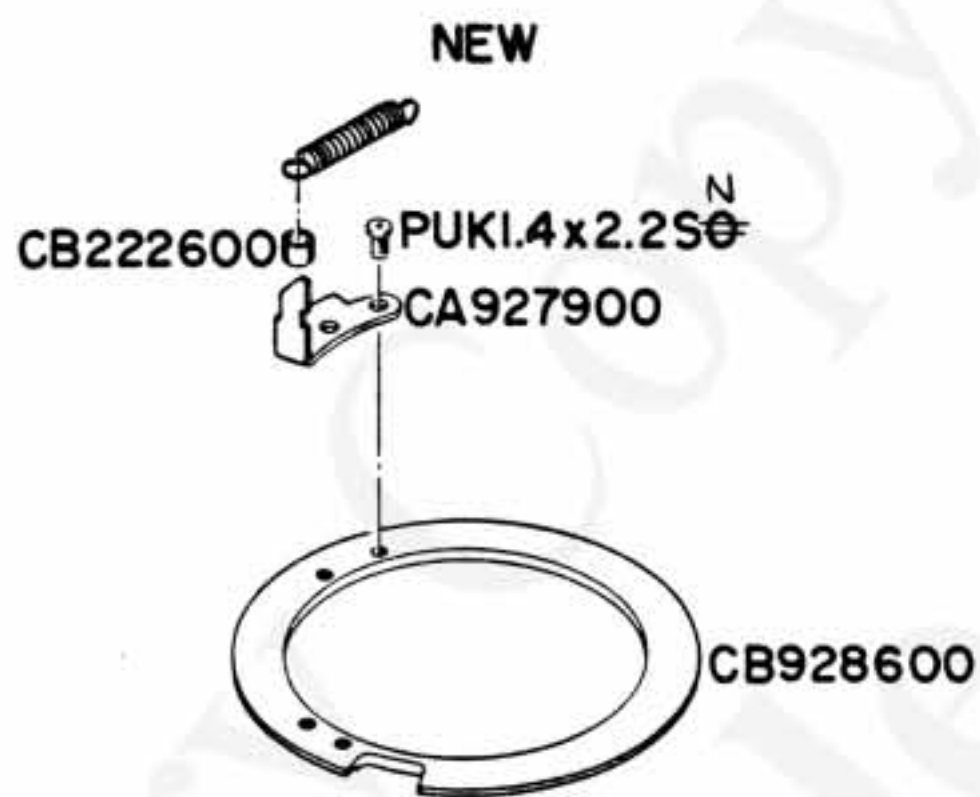
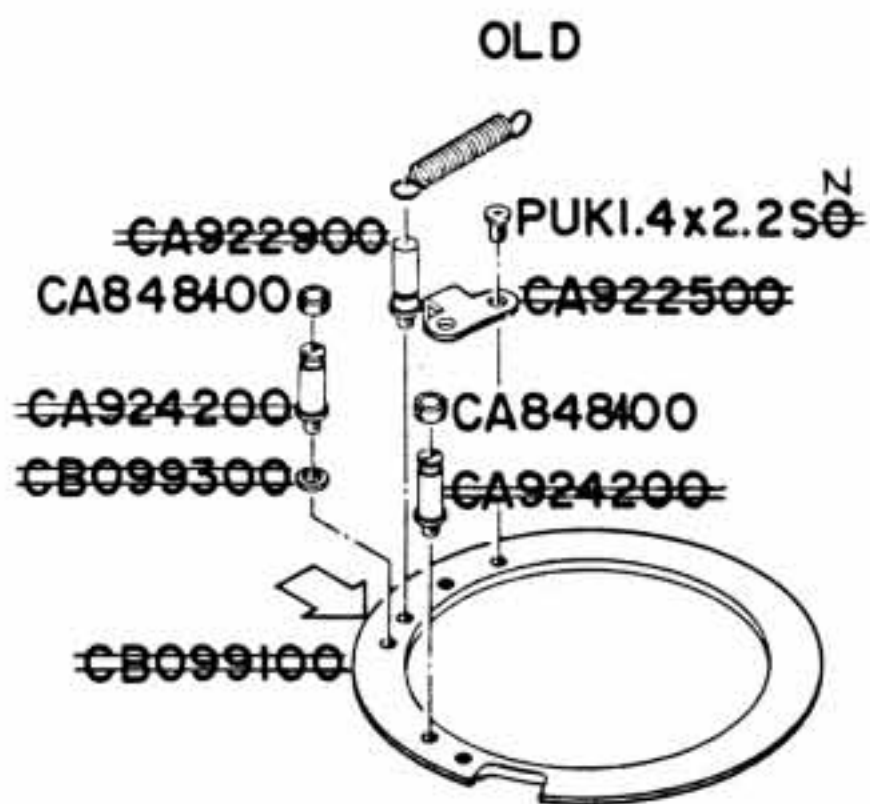


REPAIR MANUAL

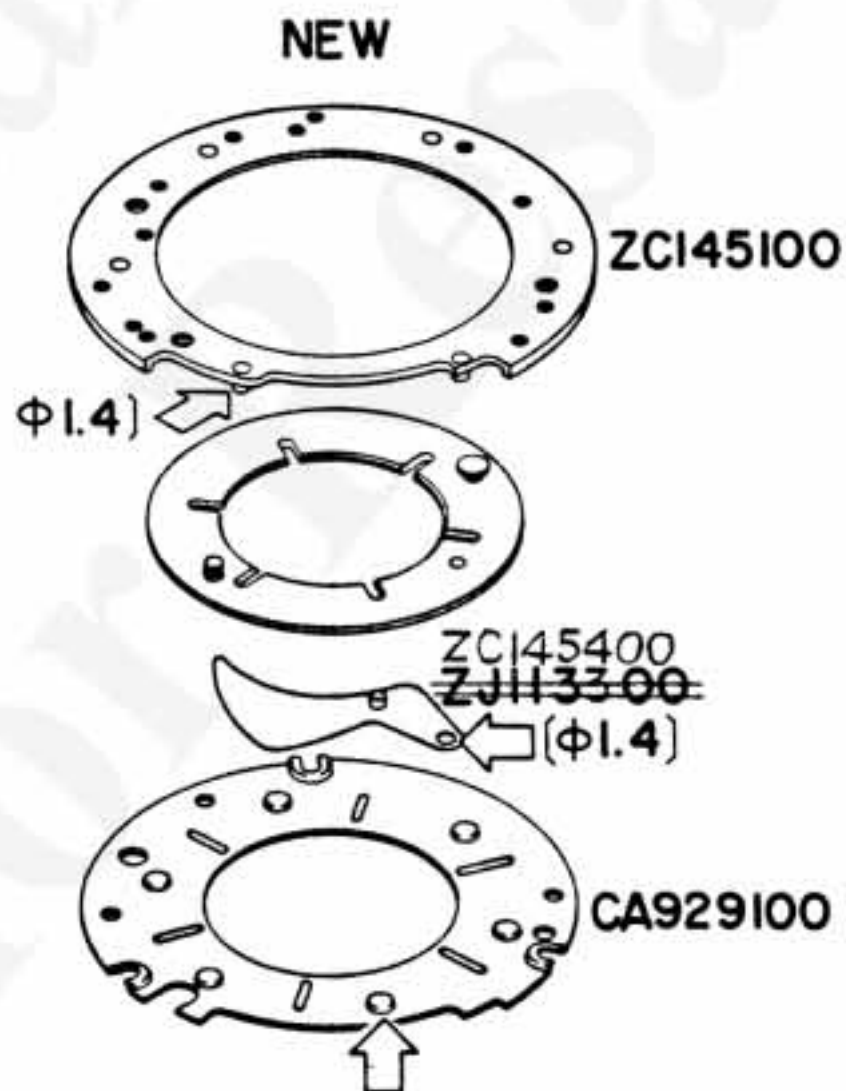
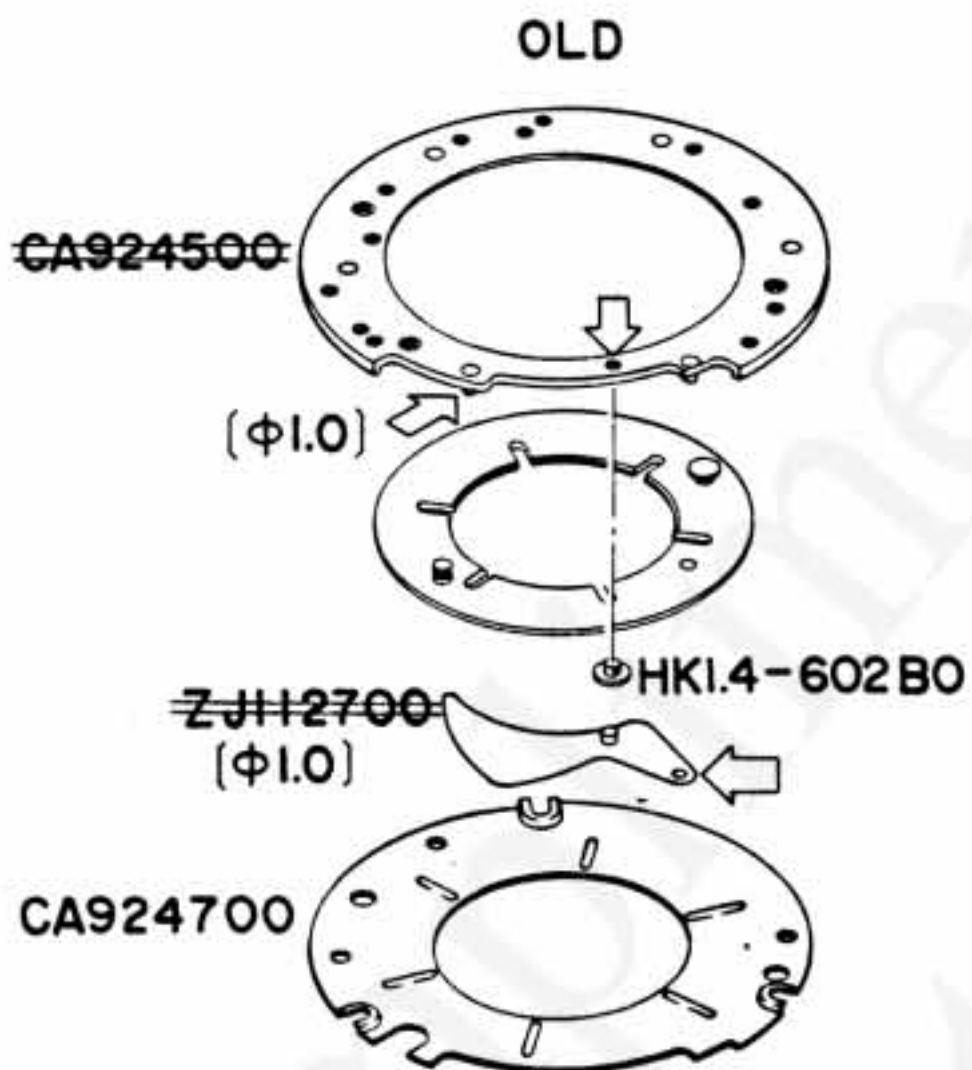
MODEL	HOUSE CODE	
TELEPHOTO LENS F2.8 1:100mm for OLYMPUS M-SYSTEM	MT102B	FIG. 1/1
OLYMPUS OPTICAL CO., LTD. TOKYO, JAPAN		

NOTE: WHEN ORDERING FOR SPARE PARTS, PLEASE CLARIFY A MODEL, PARTS NUMBER AND QUANTITY

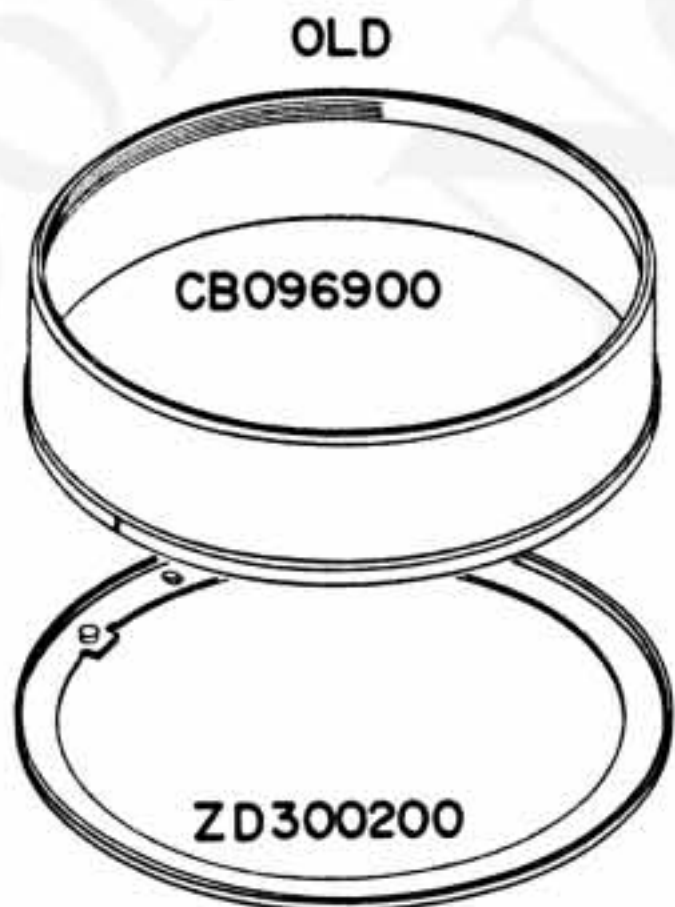
<1>



<3>



<5>



<4>

OLD

NEW

~~CB096500~~



CB096500



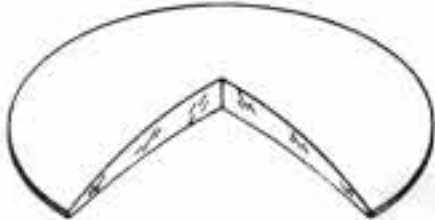
(CB096600)



(CBI37900)



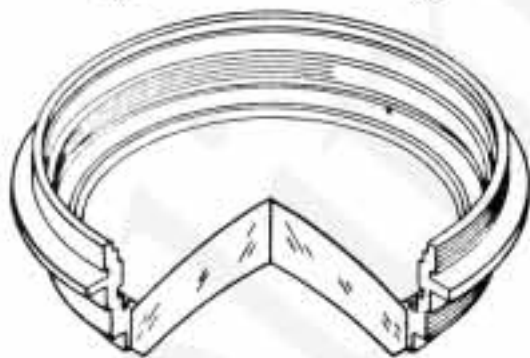
(LC604400)



(LC613400)



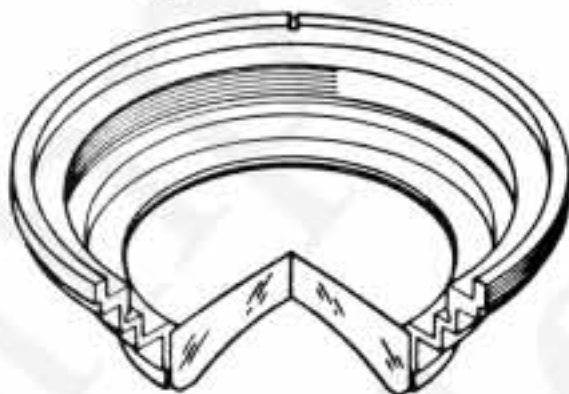
CB096100



(CBI 38000)



CB096200



(LC604500)



ZD303600

