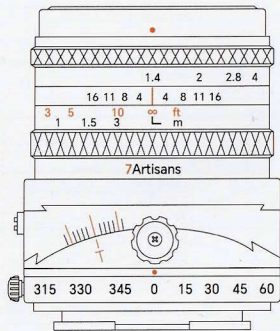
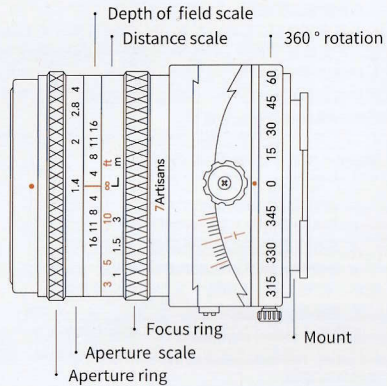


50mm F1.4



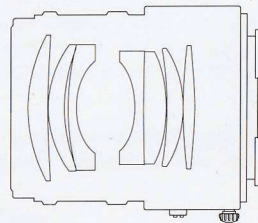
Product Features



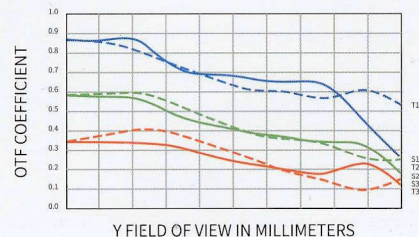
Product parameters

Description	50mm F1.4
Mount Type	E/FX/M43
Lens Structure	7 elements in 6 groups
Focal Length	50mm
AOV	46°
Number of diaphragm blades	12片
Focal Range	0.5m-∞
Aperture Range	F1.4-F16
Focusing	MF
Outer Diameter	Φ75 x L73mm
Weight	364g
Filter Size	Φ46mm

Lens Structure Diagram



MTF Curve



Instructions for 7Artisans® Focus Lens

Please read the instructions carefully to make full use of the product and all its features.

Lens Operation Steps

Mounting

Align the mounting mark on the lens with the same mark on the camera, then turn the lens clockwise until you hear a click. This indicates the lens is in place. (Refer to the camera's user manual for a detailed explanation of how to mount and remove the lens)

Mounting

Press and hold the release button on the camera and turn the lens counterclockwise until you can remove it. Place the lens with its back facing upward to protect the surface of the lens from scratches.

Storage

Attach the dust cover and bottom cover to avoid lens scratches and to protect from dust.



Safety precautions

*Do not look at the sun or any bright light source through the lens or camera, as this could impair your vision.

*Do not leave the lens in the sun without a cover whether the lens is mounted on the camera or not, as the lens could focus the sun-light and cause a fire.

*Keep the lens out of reach of children.

*Do not disassemble the internal parts of the product.

Usage precautions

*Avoid impact on the lens or direct exposure in extreme heat, cold, or in humid environments.

*When not in use, always put the lens cap over the lens.

*For long-term storage, keep the product in a dry, cool and well-ventilated place.

*The lens is not waterproof, so be careful when using on rainy days or near water sources. The internal parts, lens and electronic parts may be beyond repair if damaged by water.

Cleaning

*Do not touch the lens contacts directly with your hands. If the lens gets dirty, use a lens blower to remove the dust and gently wipe the lens with a clean, soft lens cloth.

*Do not clean the lens with any organic solvent such as thinner or gasoline.

Warranty Card

In order to provide you with a better service, please read the following contents carefully, fill in and keep this warranty card properly.

1. The warranty card is applied to customers all over the world.
2. Customers can enjoy free maintenance service within one year from the date of purchase if there are any product quality problems based on normal use(non-manualdamage) and the products are not disassembled and repaired by themselves.
3. The customers are requested to provide the warranty card and valid purchase vouchers for free maintenance based on the warranty card information and purchase vouchers are coincident. Failure to provide or both inconsistent information, 7Artisans shall have the right to refuse to provide free maintenance service.
4. 7Artisans declines to provide free maintenance service in the following situation, but can provide paid maintenance service and charge according to the actual situation.
 - a:The product date of the product is beyond the warranty period.
 - b:Warranty card or purchase voucher cannot be identified after artificial alteration.
 - c:Damage caused by unauthorized disassembling or repairing.
 - d:Damage caused by failure to operate in accordance with the company' s instruction.
 - e:Damage caused by improper use and storage, such as product damage caused by physical impact, water,

improper storage, smudge, etc.

f: Product damage caused by irresistible factors, such as natural disasters.

5. Free maintenance service does not include transportation costs, 7Artisans does not provide door to door service.

6. The free service provided by this warranty card does not apply to the activity prizes, gifts, accessories and other items.

7. The parts replaced in the warranty shall be owned by 7Artisans.

8. Shenzhen 7Artisans lens photoelectric technology co.,ltd reserves the right of final interpretation of the above terms.

Product Model: _____

Return Address: _____

Contact number: _____

Date of purchase: _____

Purchase Channels: _____

Reasons for replacement: _____



Shenzhen 7artisans Photoelectric Technology Co.,Ltd.

☎ 0755-82711682

🌐 www.7artisans.com ✉ Info@7artisans.com

📍 601-602, Chuangyi Building, Minle Industrial Park, Longhua New District, Shenzhen