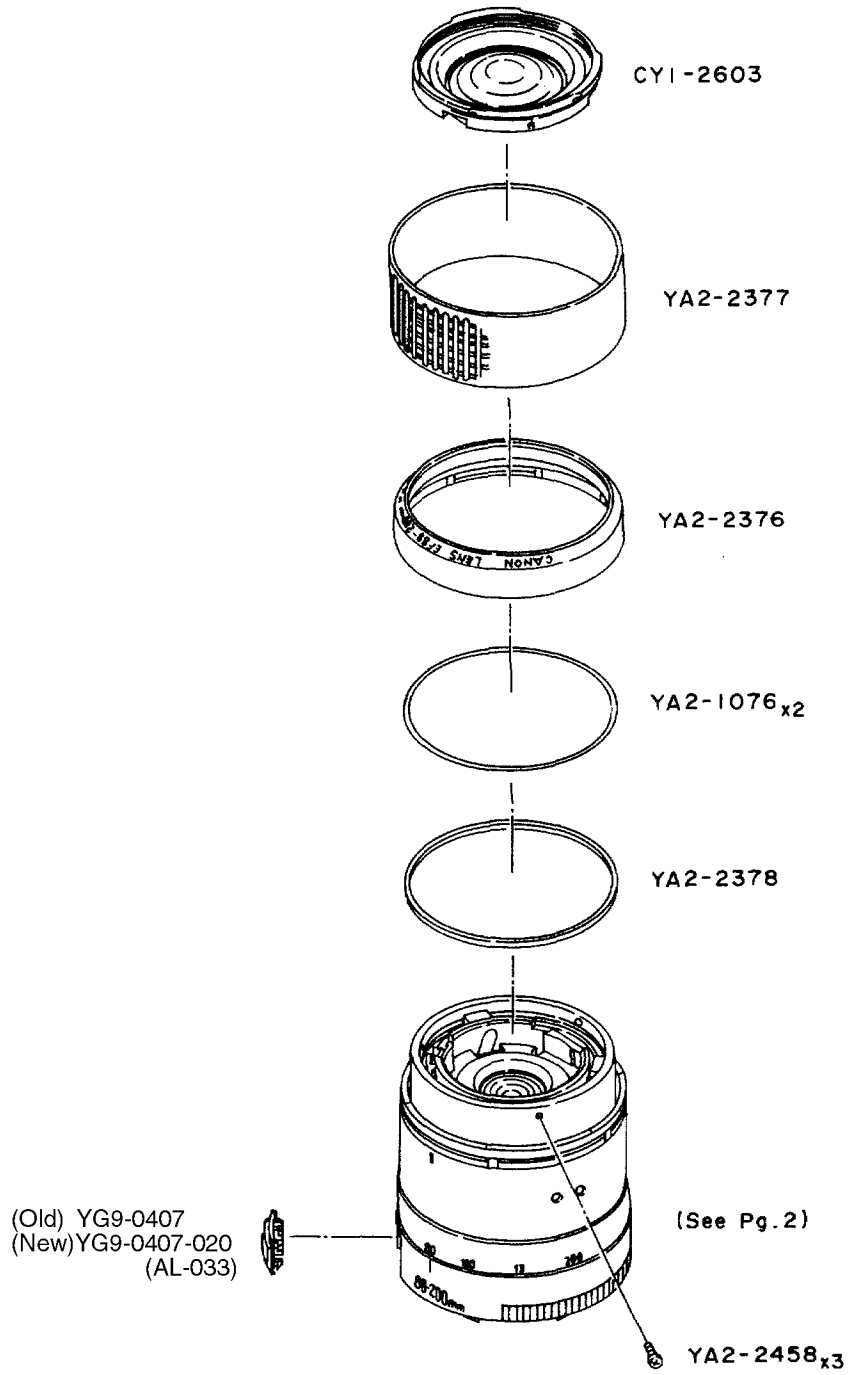


Canon

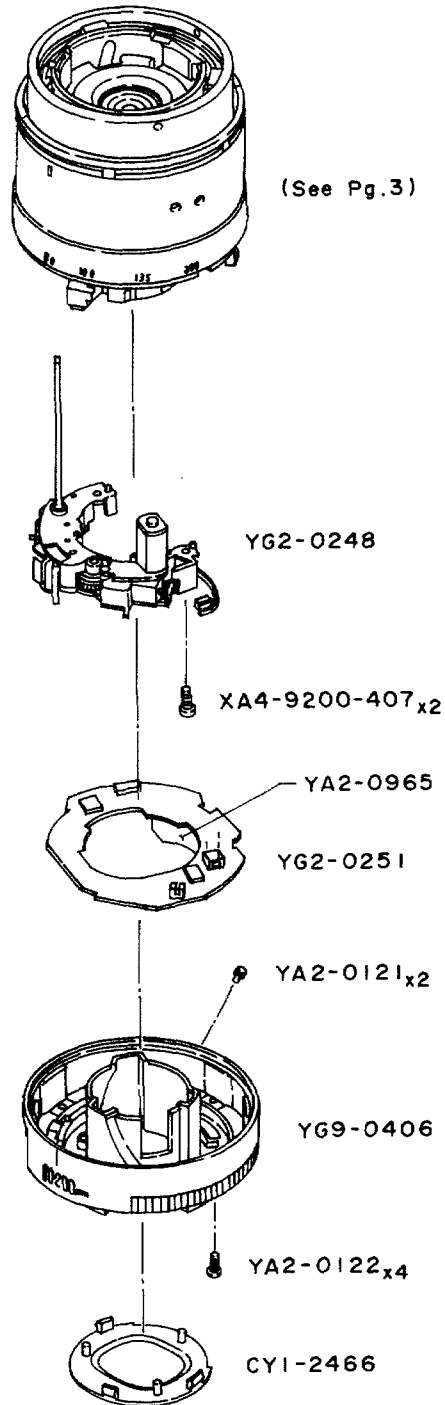
EF 80-200mm 1:4.5-5.6 II
REF.NO.C21-9871

PARTS
CATALOG

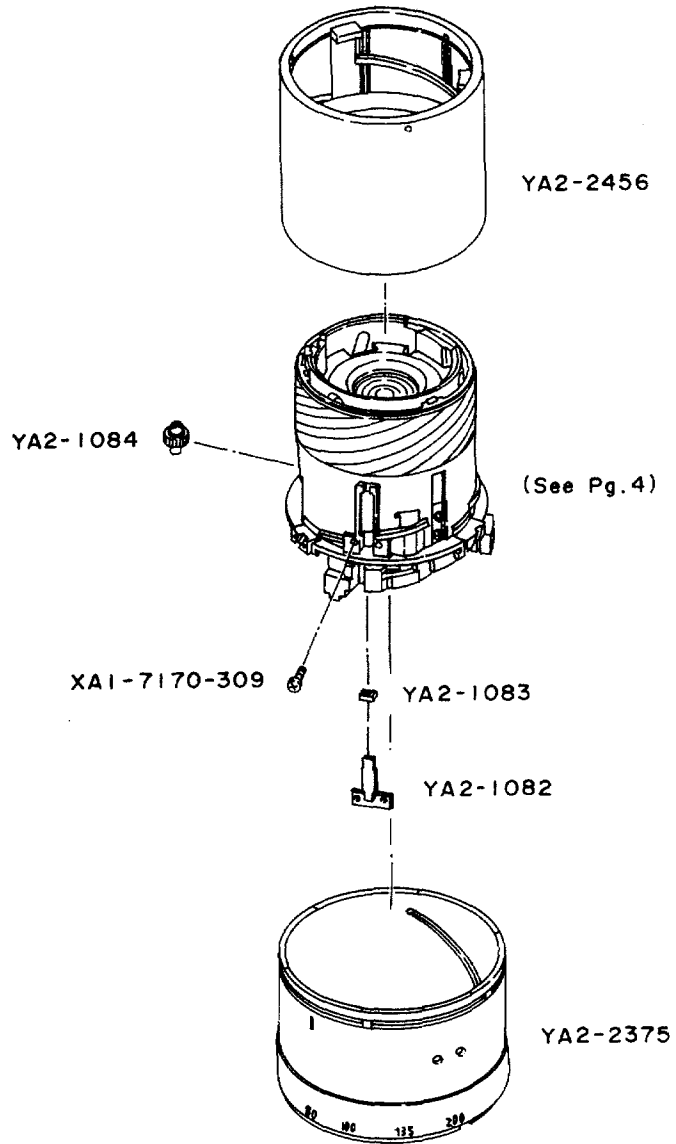
CANON LENS EF 80-200 mm 1:4.5-5.6 II



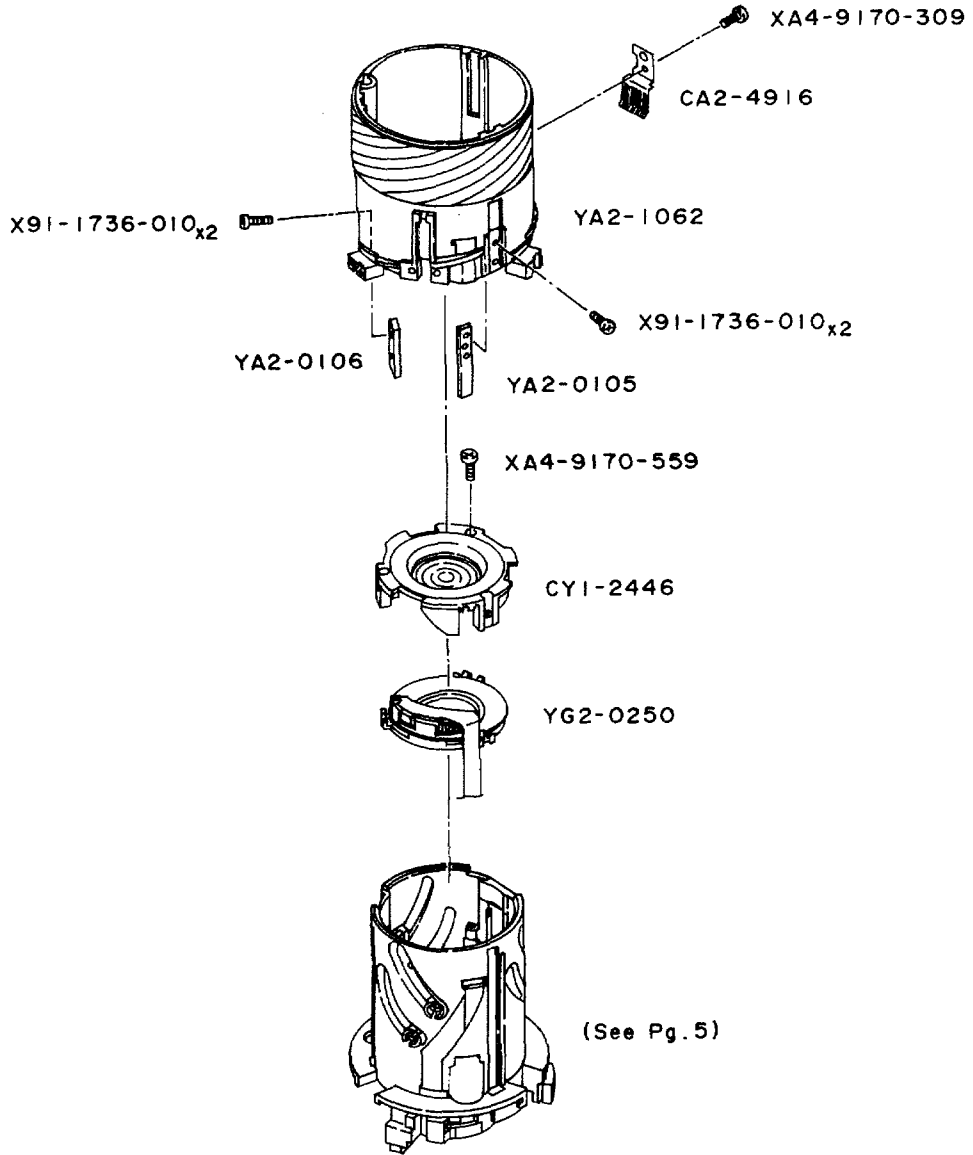
CANON LENS EF 80-200 mm 1:4.5-5.6 II



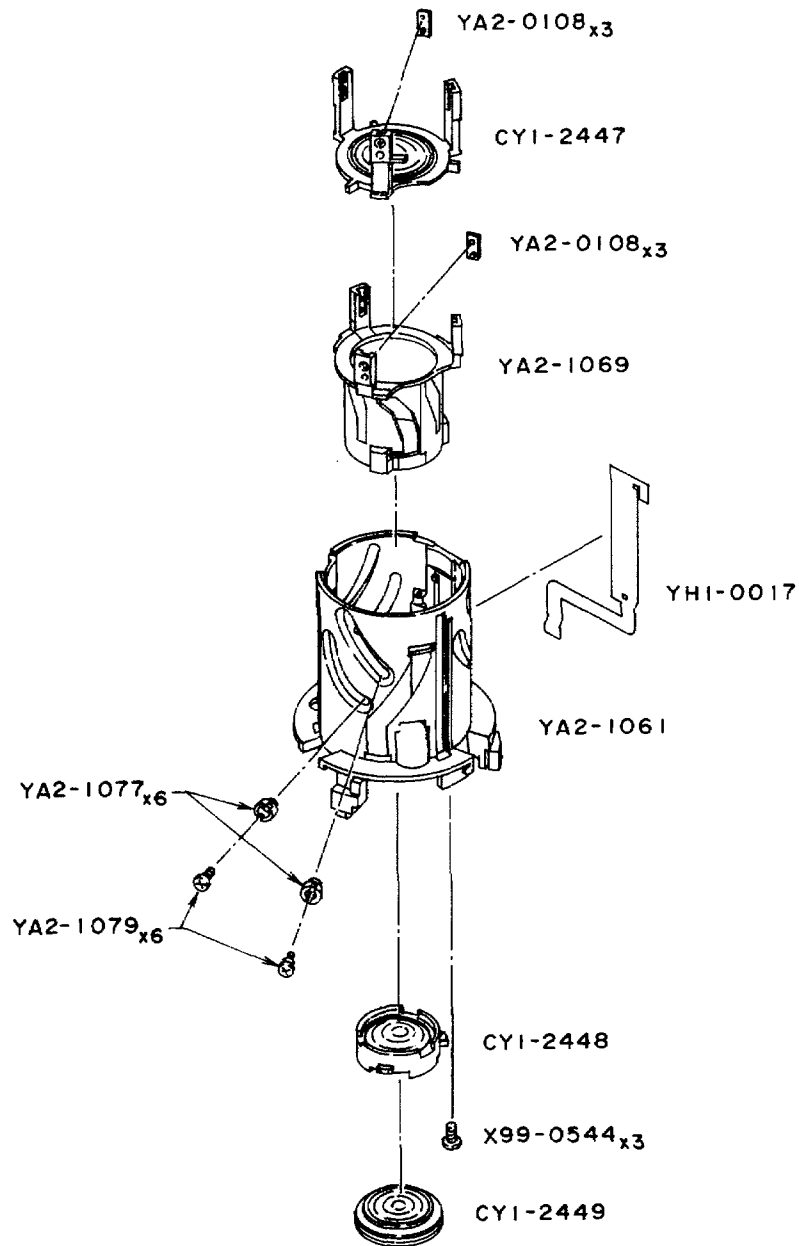
CANON LENS EF 80-200 mm 1:4.5-5.6 II



CANON LENS EF 80-200 mm 1:4.5-5.6 II



CANON LENS EF 80-200 mm 1:4.5-5.6 II



PARTS LIST

REF.No.C21-9871

NEW	PARTS NO.	CLASS	QTY	DESCRIPTION	PAGE
	CA2-4916-000	D	1	BRUSH, ZOOMING	4
	CY1-2446-000	E	1	LENS (G3/4) ASS'Y	4
	CY1-2447-000	E	1	LENS (G5/6) ASS'Y	5
	CY1-2448-000	E	1	LENS (G7/8) ASS'Y	5
	CY1-2449-000	E	1	LENS (G9/10) ASS'Y	5
	CY1-2466-000	D	1	COVER, BACK	2
	CY1-2603-000	E	1	FRONT LENS (G1/2) ASS'Y	1
	X91-1736-010		4	SCREW, CROSS-RECESS, PH	4
	X99-0544-000		3	SCREW, SLOTTED, FFH	5
	XA1-7170-309		1	SCREW, CROSS-RECESS, PH	3
	XA4-9170-309		1	SCREW, CROSS-RECESS, PH	4
	XA4-9170-559		1	SCREW, CROSS-RECESS, PH	4
	XA4-9200-407		2	SCREW, CROSS-RECESS, PH	2
	YA2-0105-000	E	1	KEY, A	4
	YA2-0106-000	E	1	KEY, B	4
	YA2-0108-000	E	6	PLATE, NUT	5
	YA2-0121-000	F	2	SCREW, SLOTTED, FFH	2
	YA2-0122-000	F	4	SCREW, SLOTTED, FFH	2
	YA2-0965-000	D	1	CONTACT ASS'Y	2
	YA2-1061-000	E	1	BARREL, CAM	5
	YA2-1062-000	D	1	BARREL, HELICOID	4
	YA2-1069-000	D	1	BARREL, G9/10 CAM	5
	YA2-1076-000	D	2	WASHER, DUST SHIELD	1
	YA2-1077-000	E	6	COLLAR	5
	YA2-1079-000	F	6	SCREW, CROSS-RECESS, SHOULDER	5
	YA2-1082-000	E	1	STOP FOCUSING	3
	YA2-1083-000	E	1	STOP, RUBBER	3
	YA2-1084-000	E	1	GEAR, FOCUSING	3
	YA2-2375-000	D	1	RING, ZOOMING	3
	YA2-2376-000	D	1	RING, NAME	1
	YA2-2377-000	D	1	RING, RUBBER	1
	YA2-2378-000	E	1	RING, REINFORCEMENT	1
	YA2-2456-000	D	1	HELICOID, OUTER	3
	YA2-2458-000	F	3	SCREW	1
	YG2-0248-000	D	1	AF DRIVE UNIT	2
	YG2-0250-000	E	1	POWER DIAPHRAGM UNIT	4
	YG2-0251-000	E	1	MAIN CBA	2
	YG9-0406-000	D	1	MOUNT UNIT	2
	YG9-0407-000	D	1	A/M SWITCH ASS'Y (Old)	1
	YG9-0407-020	D	1	A/M SWITCH ASS'Y (New)	1
	YH1-0017-000	E	1	Z-FLX(FLEX, ZOOMING)	5

CANON LENS EF 80-200mm 1:4.5-5.6 II

