

Canon

EF 70-200mm 1:2.8L IS USM

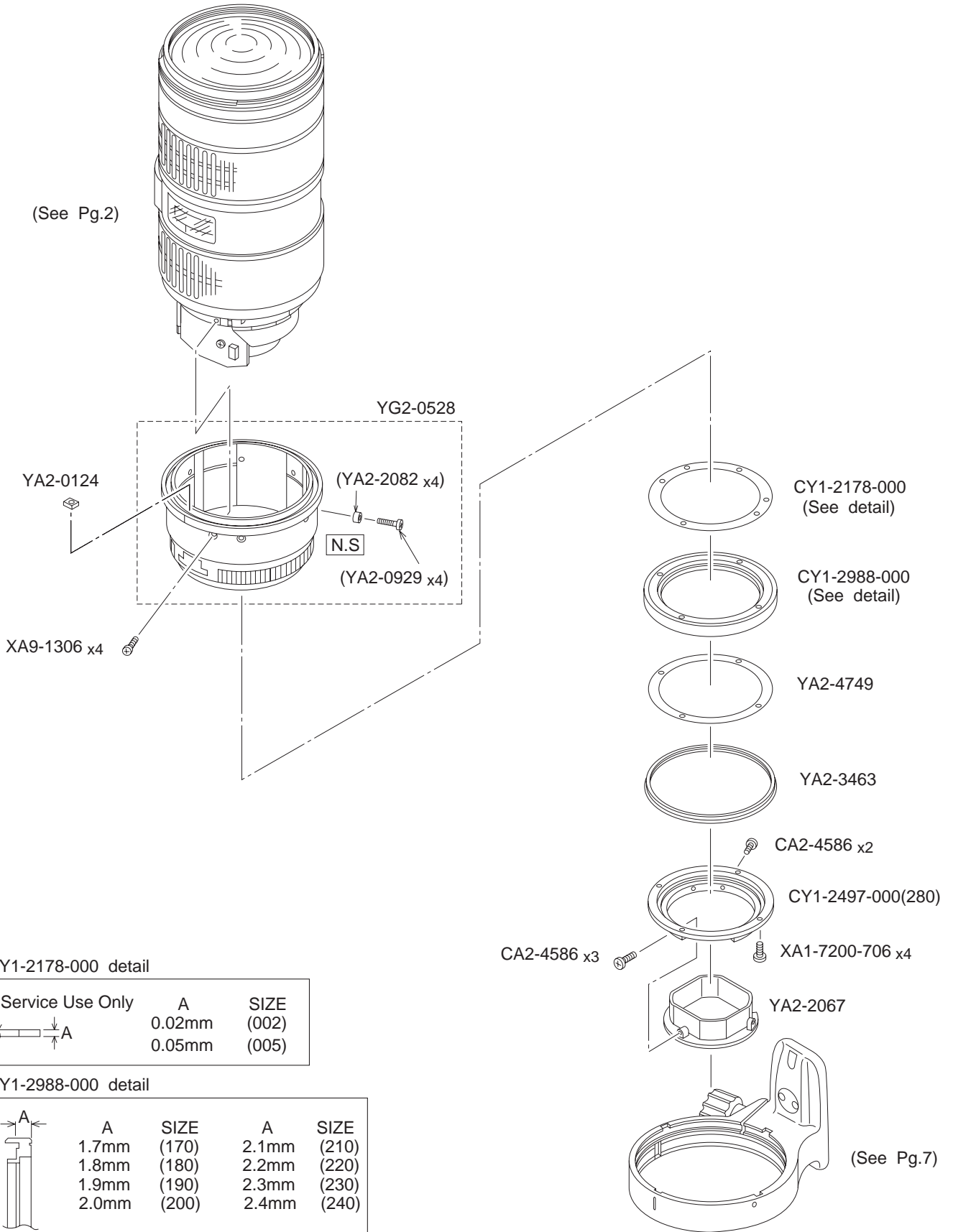
REF.NO. C21-0111

PARTS

CATALOG

CANON LENS EF70-200mm 1:2.8L IS USM

(See Pg.2)



CY1-2178-000 detail

Service Use Only	A	SIZE
	0.02mm	(002)
	0.05mm	(005)

CY1-2988-000 detail

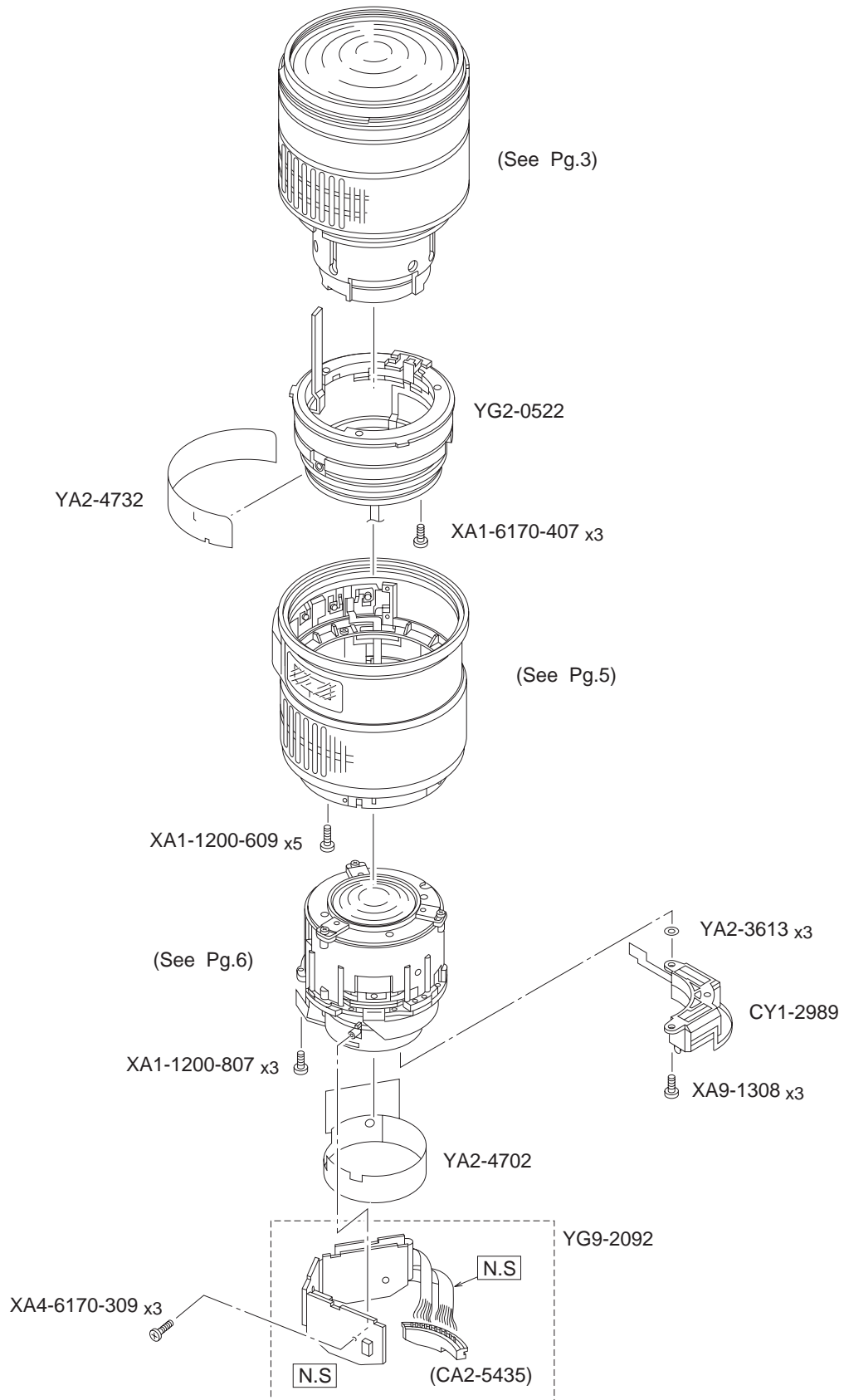
	A	SIZE	A	SIZE
	1.7mm	(170)	2.1mm	(210)
	1.8mm	(180)	2.2mm	(220)
	1.9mm	(190)	2.3mm	(230)
	2.0mm	(200)	2.4mm	(240)

PARTS LIST

REF.NO. C21-0111

NEW	PARTS No.	CLASS	QTY	DESCRIPTION	Page
	CA2-4586-000	E	5	SCREW	1
	CY1-2178-000(XXX)	E	1	WASHER, MOUNT	1
	CY1-2497-000(280)	D	1	MOUNT, LENS	1
*	CY1-2988-000(XXX)	C	1	RING, FOCUS ADJUSTMENT	1
	XA1-7200-706	F	4	SCREW, CROSS-RECESS, PH	1
*	XA9-1306-000	F	4	SCREW, CROSS-RECESS, PH	1
	YA2-0124-000	D	1	RUBBER, FRICTION	1
	YA2-0929-000	F	4	SCREW, CROSS-RECESS, PH	1
	YA2-2067-000	D	1	COVER, BACK	1
	YA2-2082-000	E	4	COLLAR	1
	YA2-3463-000	C	1	RUBBER, MOUNT	1
*	YA2-4749-000	C	1	WASHER, MOUNT	1
*	YG2-0528-000	B	1	BARREL ASS'Y, FIXED	1

CANON LENS EF70-200mm 1:2.8L IS USM

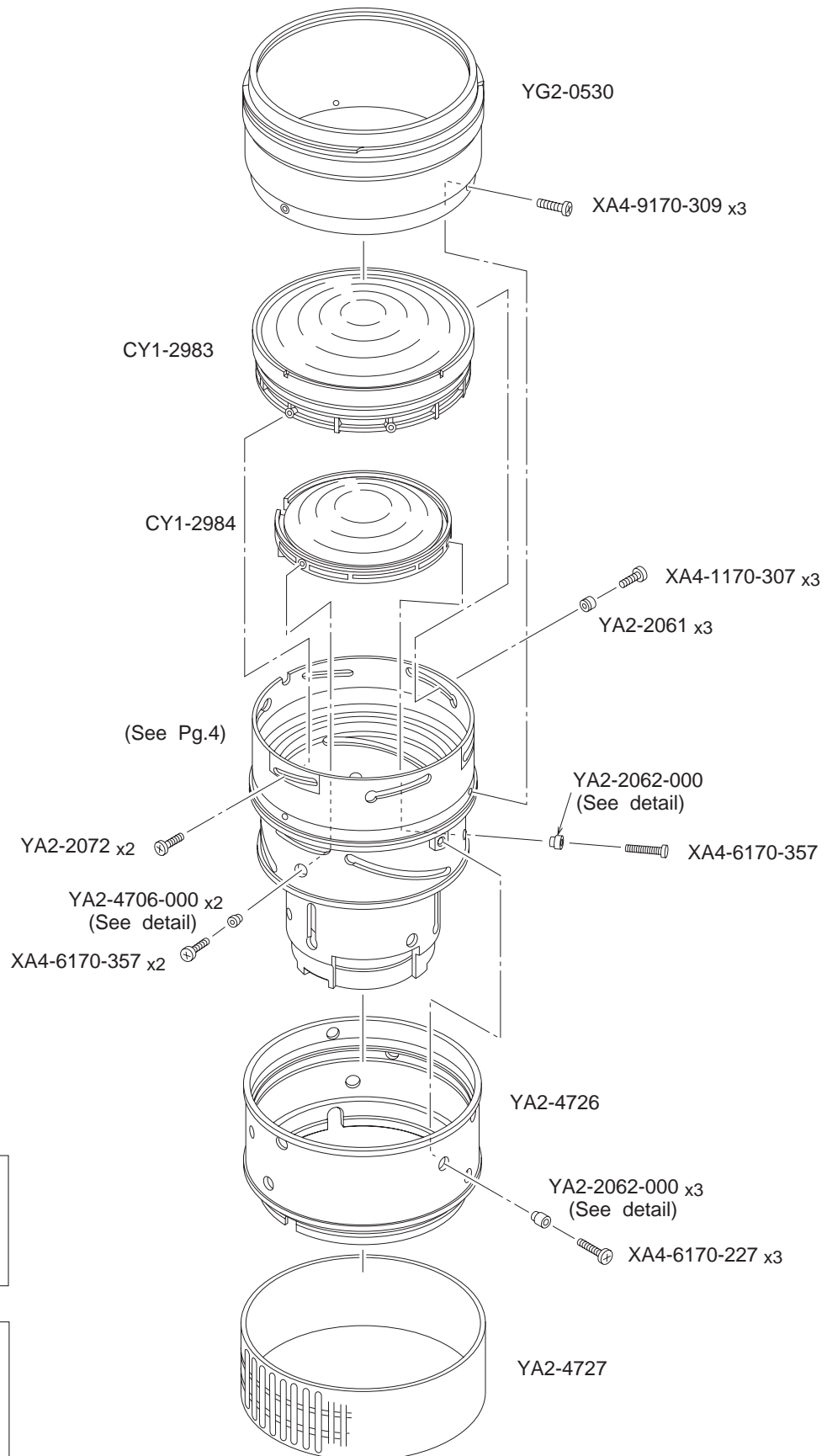


PARTS LIST

REF.NO. C21-0111

NEW	PARTS No.	CLASS	QTY	DESCRIPTION	Page
	CA2-5435-000	D	1	CONTACT ASS'Y	2
*	CY1-2989-000	C	1	GYRO SENSOR UNIT	2
	XA1-1200-609	F	5	SCREW, PH2X6	2
*	XA1-1200-807	F	3	SCREW, PH2X8	2
	XA1-6170-407	F	3	SCREW, CROSS-RECESS, PH	2
	XA4-6170-309	F	3	SCREW, CROSS-RECESS, PH	2
*	XA9-1308-000	F	3	SCREW, CROSS-RECESS, PH	2
	YA2-3613-000	F	3	RUBBER, VIBRATION DAMPER	2
*	YA2-4702-000	C	1	SHEET, LIGHT SHIELD	2
*	YA2-4732-000	C	1	SCALE, FOCUSING	2
*	YG2-0522-000	C	1	FOCUSING UNIT	2
*	YG9-2092-000	C	1	PCB ASS'Y, MAIN	2

CANON LENS EF70-200mm 1:2.8L IS USM



YA2-2062-000 detail

A	SIZE
↓	∅ 3.98mm (398)
↑	∅ 3.99mm (399)
	∅ 4.00mm (400)
	∅ 4.01mm (401)
	∅ 4.02mm (402)

YA2-4706-000 detail

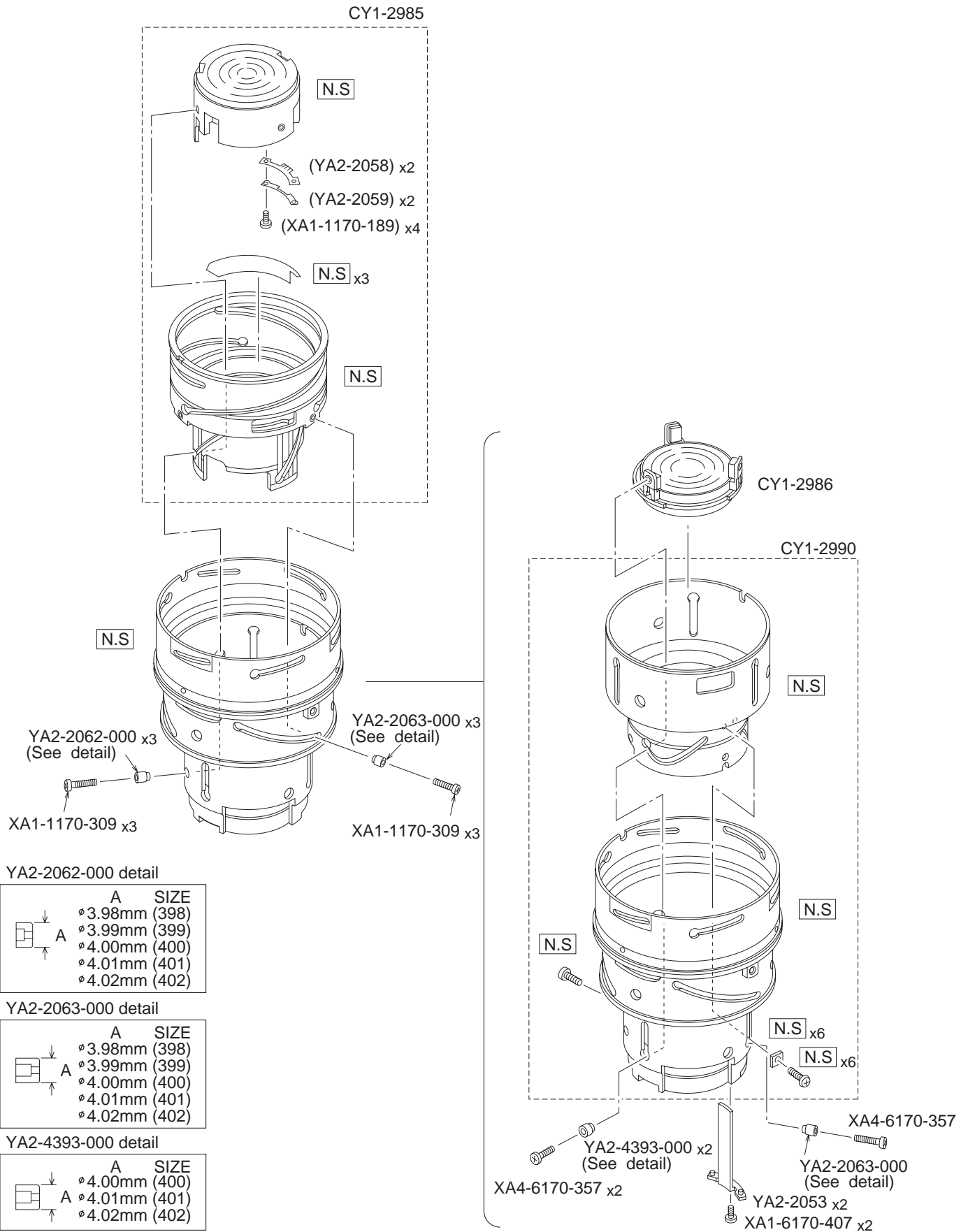
A	SIZE
↓	∅ 3.99mm (399)
↑	∅ 4.00mm (400)
	∅ 4.01mm (401)
	∅ 4.02mm (402)
	∅ 4.03mm (403)

PARTS LIST

REF.NO. C21-0111

NEW	PARTS No.	CLASS	QTY	DESCRIPTION	Page
*	CY1-2983-000	B	1	LENS ASS'Y, 1st GROUP	3
*	CY1-2984-000	C	1	LENS ASS'Y, 2nd GROUP	3
	XA4-1170-307	F	3	SCREW, CROSS-RECESS, PH	3
	XA4-6170-227	F	3	SCREW, CROSS-RECESS, PH	3
	XA4-6170-357	F	3	SCREW, CROSS-RECESS, PH	3
	XA4-9170-309	F	3	SCREW, CROSS-RECESS, PH	3
	YA2-2061-000	D	3	COLLAR	3
	YA2-2062-000(XXX)	D	4	COLLAR	3
	YA2-2072-000	F	2	SCREW, CROSS-RECESS, PH	3
*	YA2-4706-000(XXX)	C	2	COLLAR	3
*	YA2-4726-000	B	1	RING, FOCUSING	3
*	YA2-4727-000	B	1	RUBBER RING, FOCUSING	3
*	YG2-0530-000	B	1	FRONT RING UNIT	3

CANON LENS EF70-200mm 1:2.8L IS USM



PARTS LIST

REF.NO. C21-0111

NEW	PARTS No.	CLASS	QTY	DESCRIPTION	Page
*	CY1-2985-000	C	1	LENS ASS'Y, 3rd GROUP	4
*	CY1-2986-000	C	1	LENS ASS'Y, 4th GROUP	4
*	CY1-2990-000	C	1	ZOOM UNIT	4
	XA1-1170-189	F	4	SCREW, CROSS-RECESS, PH	4
	XA1-1170-309	F	6	SCREW, CROSS-RECESS, PH	4
	XA1-6170-407	F	2	SCREW, CROSS-RECESS, PH	4
	XA4-6170-357	F	3	SCREW, CROSS-RECESS, PH	4
	YA2-2053-000	E	2	KEY, GUIDE	4
	YA2-2058-000	E	2	WASHER, BLIND	4
	YA2-2059-000	E	2	HOLDER, WASHER	4
	YA2-2062-000(XXX)	D	3	COLLAR	4
	YA2-2063-000(XXX)	D	4	COLLAR	4
*	YA2-4393-000(XXX)	C	2	COLLAR	4

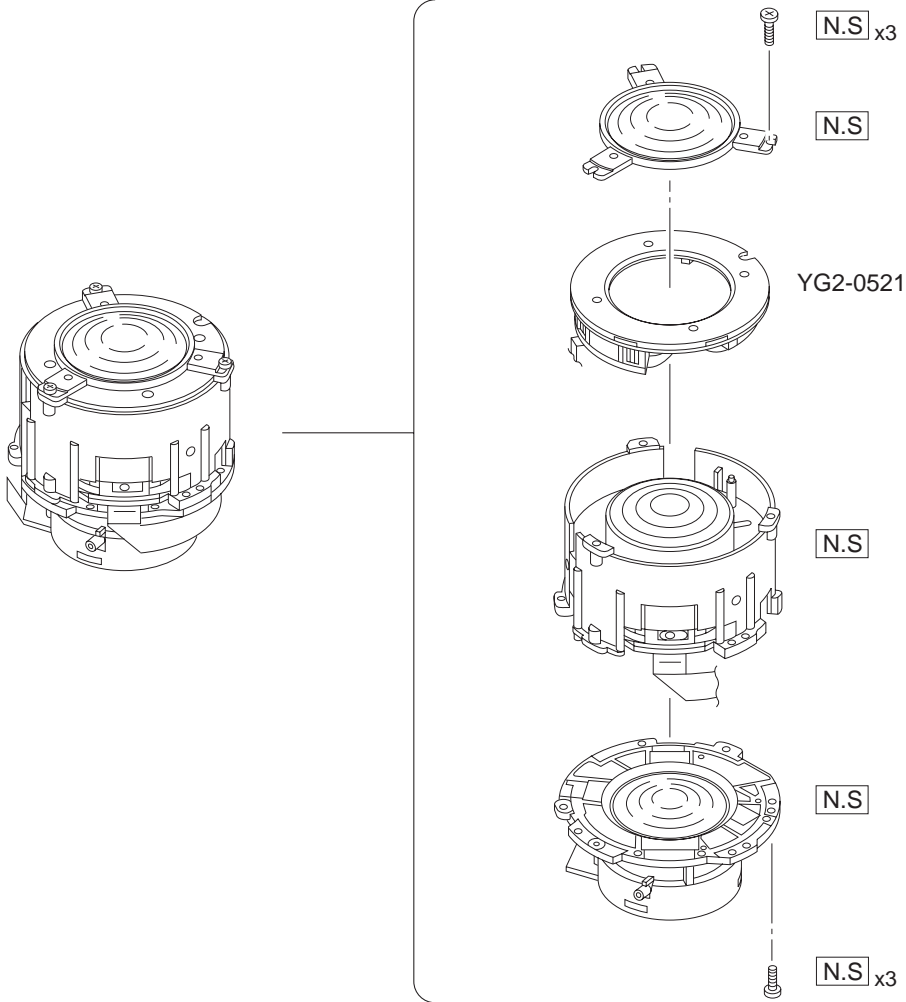
PARTS LIST

REF.NO. C21-0111

NEW	PARTS No.	CLASS	QTY	DESCRIPTION	Page
	CB2-0084-000	E	1	BRUSH, ZOOMING	5
	CB2-0397-000	F	6	SCREW, CROSS-RECESS, FFH	5
	CY1-2656-000	E	1	RING, GEAR 1	5
	CY1-2657-000	E	1	RING, GEAR 2	5
*	CY1-2991-000	C	1	INDEX RING UNIT	5
*	CY1-2992-000	C	1	SWITCH PANEL UNIT	5
	XA1-7170-257	F	2	SCREW, CROSS-RECESS, PH	5
	XA1-7170-307	F	6	SCREW, MACH. PANHEAD, M1.7X3	5
	XA1-7170-407	F	6	SCREW, CROSS-RECESS, PH	5
*	XA9-1307-000	F	4	SCREW, CROSS-RECESS, PH	5
	YA2-0124-000	D	2	RUBBER, FRICTION	5
*	YA2-4426-000	B	1	TAPE, DOUBLE SIDED	5
*	YA2-4707-000	B	1	SHEET, WATER PROTECT	5
*	YA2-4712-000	C	1	BARREL, INTERMEDIATE	5
*	YA2-4731-000	B	1	WINDOW, SCALE	5
*	YA2-4733-000	B	1	RING, ZOOMING	5
*	YA2-4734-000	B	1	RUBBER RING, ZOOMING	5
*	YA2-4750-000	C	1	KEY, ZOOMING	5
	YG9-0365-000	D	3	REVERSE GEAR UNIT	5
*	YH1-0807-000	C	1	FPC, ZOOM	5

CANON LENS EF70-200mm 1:2.8L IS USM

CY1-2987



PARTS LIST

REF.NO. C21-0111

NEW	PARTS No.	CLASS	QTY	DESCRIPTION	Page
*	CY1-2987-000	C	1	LENS ASS'Y, EMD/IS	6
*	YG2-0521-000	B	1	POWER DIAPHRAGM UNIT	6

PARTS LIST

REF.NO. C21-0111

NEW	PARTS No.	CLASS	QTY	DESCRIPTION	Page
*	CY1-2993-000	C	1	BAND UNIT	7
	YG9-0263-100	D	1	TRIPOD SOCKET UNIT	7

INDEX OF PARTS LIST

REF.NO. C21-0111

NEW	PARTS No.	Page	NEW	PARTS No.	Page
	CA2-4586-000	1		YA2-2059-000	4
	CA2-5435-000	2		YA2-2061-000	3
	CB2-0084-000	5		YA2-2062-000(XXX)	3,4
	CB2-0397-000	5		YA2-2063-000(XXX)	4
	CY1-2178-000(XXX)	1		YA2-2067-000	1
	CY1-2497-000(280)	1		YA2-2072-000	3
	CY1-2656-000	5		YA2-2082-000	1
	CY1-2657-000	5		YA2-3463-000	1
*	CY1-2983-000	3		YA2-3613-000	2
*	CY1-2984-000	3	*	YA2-4393-000(XXX)	4
*	CY1-2985-000	4	*	YA2-4426-000	5
*	CY1-2986-000	4	*	YA2-4702-000	2
*	CY1-2987-000	6	*	YA2-4706-000(XXX)	3
*	CY1-2988-000(XXX)	1	*	YA2-4707-000	5
*	CY1-2989-000	2	*	YA2-4712-000	5
*	CY1-2990-000	4	*	YA2-4726-000	3
*	CY1-2991-000	5	*	YA2-4727-000	3
*	CY1-2992-000	5	*	YA2-4731-000	5
*	CY1-2993-000	7	*	YA2-4732-000	2
	XA1-1170-189	4	*	YA2-4733-000	5
	XA1-1170-309	4	*	YA2-4734-000	5
	XA1-1200-609	2	*	YA2-4749-000	1
*	XA1-1200-807	2	*	YA2-4750-000	5
	XA1-6170-407	2,4	*	YG2-0521-000	6
	XA1-7170-257	5	*	YG2-0522-000	2
	XA1-7170-307	5	*	YG2-0528-000	1
	XA1-7170-407	5	*	YG2-0530-000	3
	XA1-7200-706	1		YG9-0263-100	7
	XA4-1170-307	3		YG9-0365-000	5
	XA4-6170-227	3	*	YG9-2092-000	2
	XA4-6170-309	2	*	YH1-0807-000	5
	XA4-6170-357	3,4			
	XA4-9170-309	3			
*	XA9-1306-000	1			
*	XA9-1307-000	5			
*	XA9-1308-000	2			
	YA2-0124-000	1,5			
	YA2-0929-000	1			
	YA2-2053-000	4			
	YA2-2058-000	4			