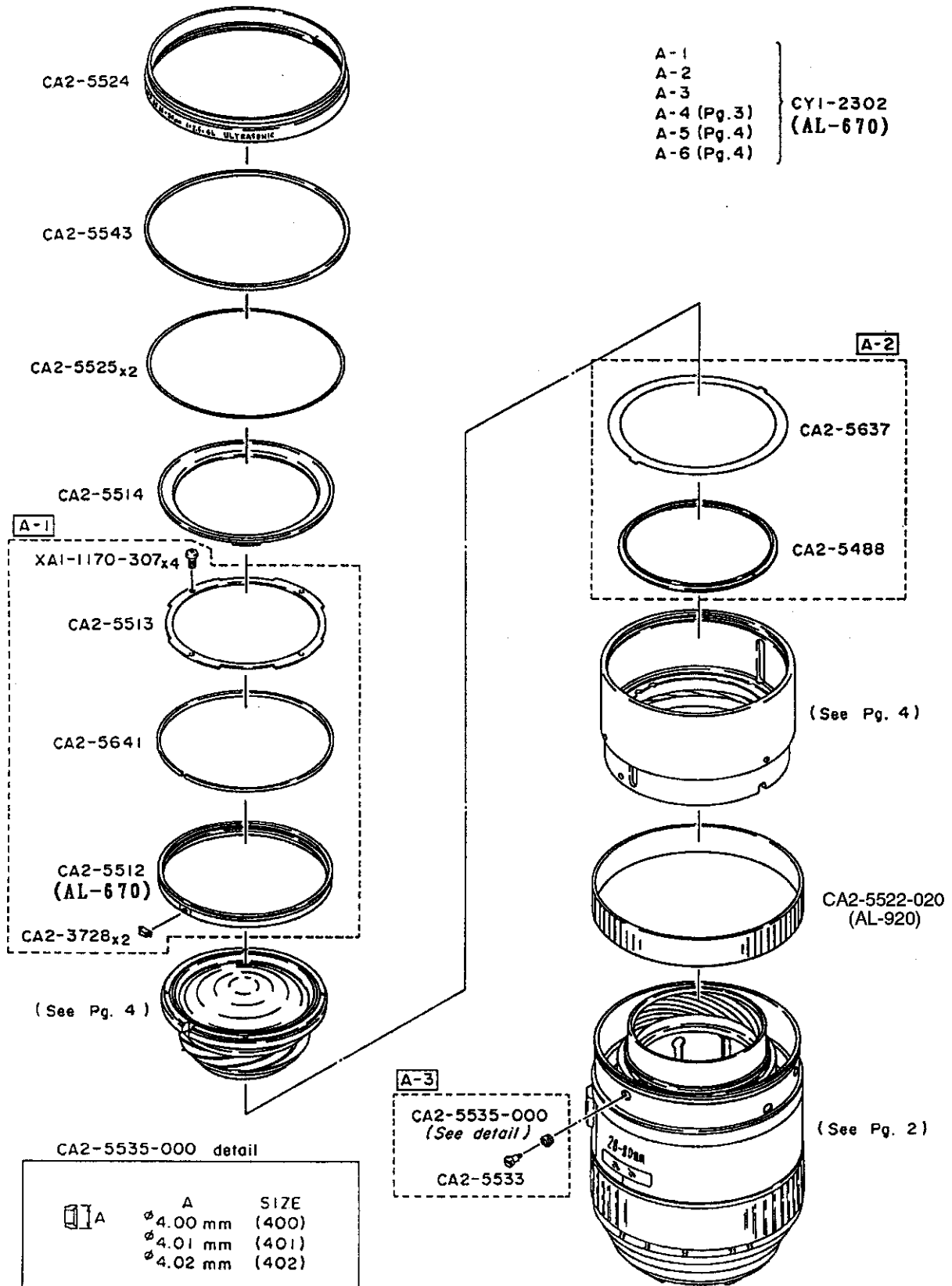


**Canon**

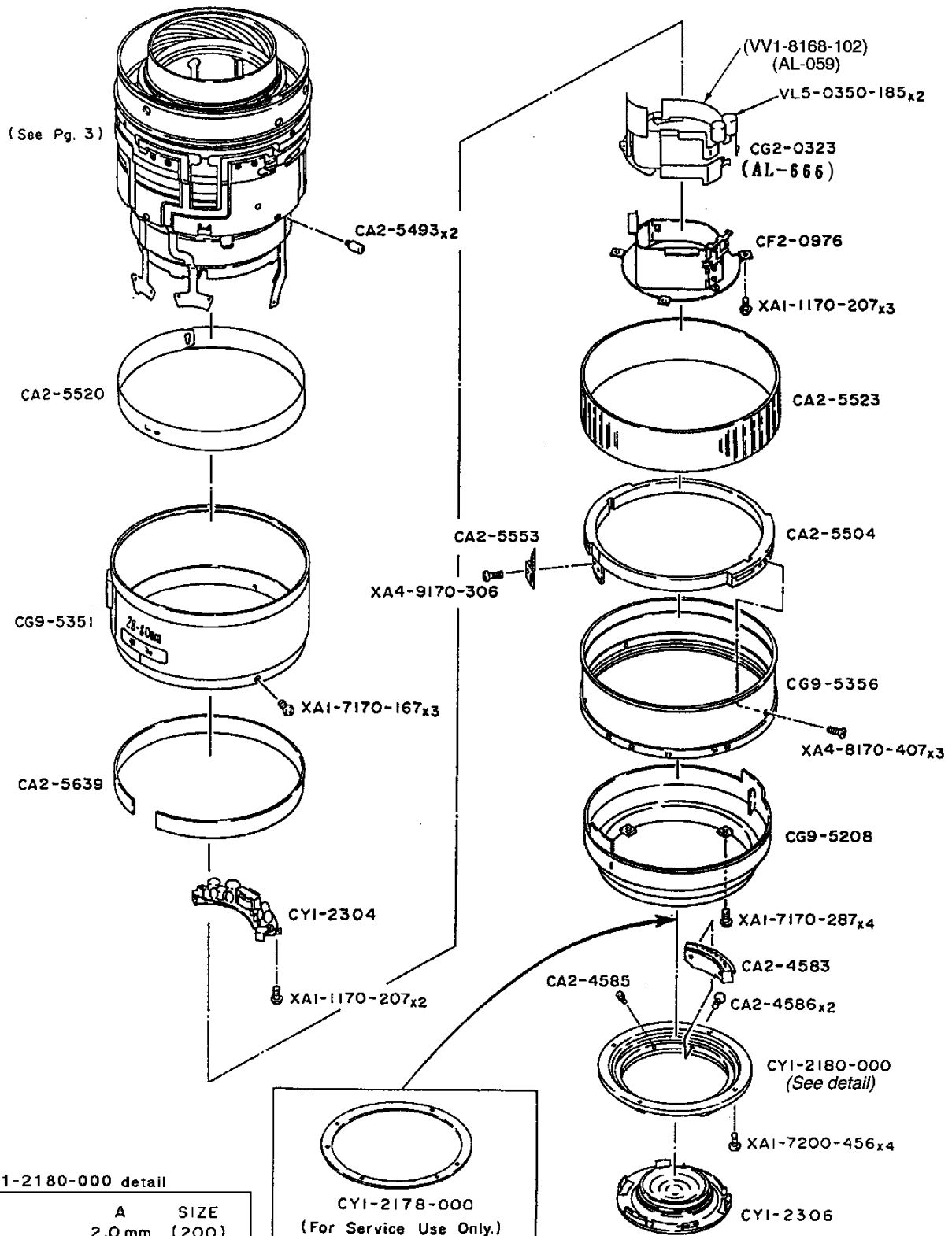
**EF 28-80mm 1:2.8-4.0L USM  
REF.NO.C21-9482**

**PARTS  
CATALOG**

# CANON LENS EF 28-80mm 1:2.8-4.0L USM

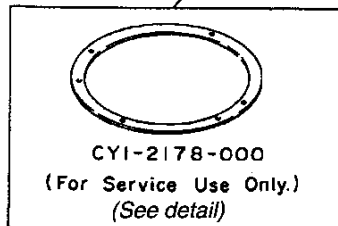


# CANON LENS EF 28-80mm 1:2.8-4.0L USM



CYI-2180-000 detail

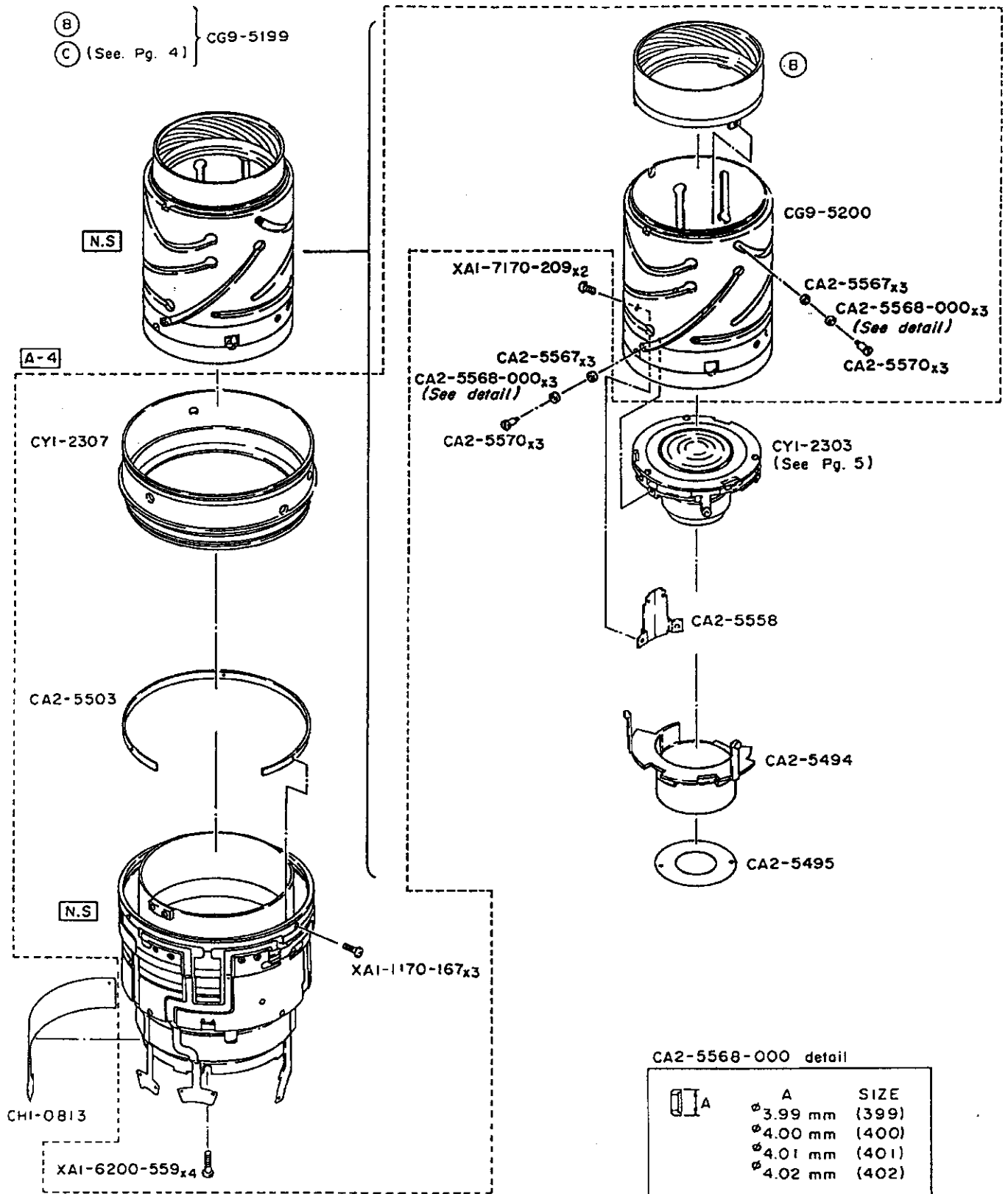
A	SIZE
2.0 mm	(200)
2.1 mm	(210)
2.2 mm	(220)
2.3 mm	(230)
2.4 mm	(240)
2.5 mm	(250)
2.6 mm	(260)
2.7 mm	(270)



CYI-2178-000 detail

Service Use Only.		
A	SIZE	
0.02 mm	(002)	
0.05 mm	(005)	

CANON LENS EF 28-80mm 1:2.8-4.0L USM



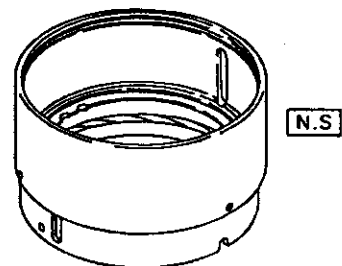
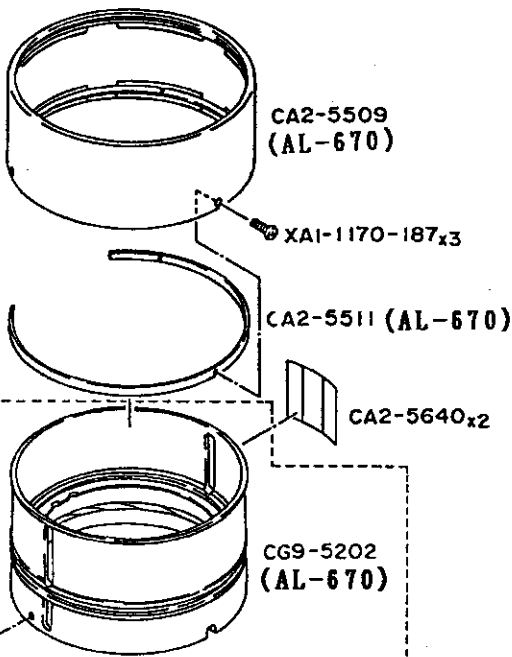
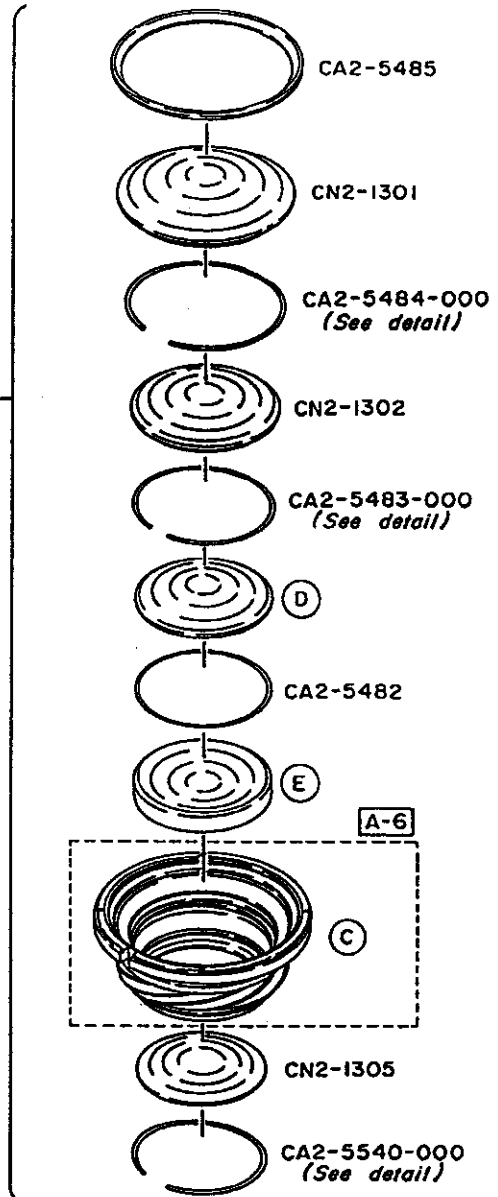
# CANON LENS EF 28-80mm 1:2.8-4.0L USM

- (B) (See Pg. 3) } CG9-5199
- (C) } CG9-5199
- (D) } CP2-1304
- (E) } CP2-1304



CA2-5483-000  
 CA2-5484-000  
 CA2-5540-000 detail

A	SIZE
φ0.7 mm	(070)
φ0.8 mm	(080)
φ0.9 mm	(090)





# PARTS LIST

REF.NO.C21-9482

NEW	PARTS NO.	CLASS	QTY	DESCRIPTION	PAGE
	CA2-3728-000	D	2	CAP, RUBBER	1
	CA2-4583-000	D	1	CONTACT ASS'Y	2
	CA2-4585-000	E	1	SCREW, MOUNT STOPPER	2
	CA2-4586-000	E	2	SCREW	2
	CA2-5482-000	E	1	WASHER, LENS G3/4	4
	CA2-5483-000 (070)	E	1	RING, SNAP	4
	CA2-5483-000 (080)	E	1	RING, SNAP	4
	CA2-5483-000 (090)	E	1	RING, SNAP	4
	CA2-5484-000 (070)	E	1	RING, SNAP	4
	CA2-5484-000 (080)	E	1	RING, SNAP	4
	CA2-5484-000 (090)	E	1	RING, SNAP	4
	CA2-5485-000	E	1	COLLAR, ASSEMBLY	4
	CA2-5488-000	E	1	COLLAR, ASSEMBLY	1
	CA2-5493-000	E	2	PIN, GUIDE	2
	CA2-5494-000	E	1	STOPPER, FLARE	3
	CA2-5495-000	D	1	WASHER	3
	CA2-5503-000	E	1	COLLAR, COUPLING	3
	CA2-5504-000	E	1	RING, ZOOMING	2
	CA2-5509-000	D	1	SLEEVE, FILTER	4
	CA2-5511-000	E	1	COLLAR, COUPLING	4
	CA2-5512-000	E	1	RING, FOCUS ADJ.	1
	CA2-5513-000	E	1	COLLAR, ASSEMBLY	1
	CA2-5514-000	D	1	RING, FRONT	1
	CA2-5520-000	C	1	SCALE, FOCUSING	2
	CA2-5522-020	C	1	RING, RUBBER	1
	CA2-5523-000	C	1	RING, RUBBER	2
	CA2-5524-000	D	1	RING, NAME	1
	CA2-5525-000	D	2	WASHER, DUST SHIELD	1
	CA2-5533-000	E	1	STUD	1
	CA2-5535-000 (400)	E	1	COLLAR	1
	CA2-5535-000 (401)	E	1	COLLAR	1
	CA2-5535-000 (402)	E	1	COLLAR	1
	CA2-5540-000 (070)	E	1	RING, SNAP	4
	CA2-5540-000 (080)	E	1	RING, SNAP	4
	CA2-5540-000 (090)	E	1	RING, SNAP	4
	CA2-5543-000	D	1	RING, FRONT	1
	CA2-5553-000	D	1	CONTACT, ZOOMING	2
	CA2-5558-000	E	1	HOLDER, U-FLEX	3
	CA2-5567-000	E	6	COLLAR, RUBBER	3
	CA2-5568-000 (399)	E	6	COLLAR	3
	CA2-5568-000 (400)	E	6	COLLAR	3
	CA2-5568-000 (401)	E	6	COLLAR	3
	CA2-5568-000 (402)	E	6	COLLAR	3
	CA2-5570-000	E	6	STUD	3
	CA2-5637-000	E	1	WASHER	1
	CA2-5639-000	E	1	SHIELD, DUST	2
	CA2-5640-000	E	2	SHIELD, DUST	4
	CA2-5641-000	E	1	SHIELD, DUST	1
	CF2-0976-000	E	1	HOLDER, MAIN FLEX CBA	2
	CG2-0321-000	D	1	POWER DIAPHRAGM UNIT	5

## PARTS LIST

REF.NO.C21-9482

NEW	PARTS NO.	CLASS	QTY	DESCRIPTION	PAGE
	CG2-0323-000	D	1	MAIN FLEX CBA	2
	CG9-5199-000	E	1	BARREL, FRONT	3,4
	CG9-5200-000	E	1	ZOOMING UNIT	3
	CG9-5202-000	D	1	FOCUSING UNIT-1	4
	CG9-5208-000	D	1	BARREL, FIXED	2
	CG9-5351-000	D	1	SLEEVE, WINDOW	2
	CG9-5356-000	D	1	RING, ZOOMING	2
	CH1-0813-000	E	1	FLEX, ZOOMING	3
	CN2-1301-000	D	1	LENS, G1	4
	CN2-1302-000	E	1	LENS, G2	4
	CN2-1305-000	E	1	LENS, G5	4
	CP2-1304-000	E	1	LENS, G3&4	4
	CY1-2178-000 (002)	E	1	WASHER, MOUNT	2
	CY1-2178-000 (005)	E	1	WASHER, MOUNT	2
	CY1-2180-000 (200)	C	1	MOUNT, LENS	2
	CY1-2180-000 (210)	C	1	MOUNT, LENS	2
	CY1-2180-000 (220)	C	1	MOUNT, LENS	2
	CY1-2180-000 (230)	C	1	MOUNT, LENS	2
	CY1-2180-000 (240)	C	1	MOUNT, LENS	2
	CY1-2180-000 (250)	C	1	MOUNT, LENS	2
	CY1-2180-000 (260)	C	1	MOUNT, LENS	2
	CY1-2180-000 (270)	C	1	MOUNT, LENS	2
	CY1-2302-000	E	1	FOCUSING UNIT-2	1
	CY1-2303-000	E	1	LENS/DIAPHRAGM UNIT	3,5
	CY1-2304-000	E	1	CONVERTER, DC/DC	2
	CY1-2306-000	E	1	LENS/BACK COVER	2
	CY1-2307-000	E	1	RING, FOCUSING	3
	VL5-0350-185	E	2	COIL	2
	VV1-8168-102	E	1	RESISTOR, 1KW 1/16W	2
	XA1-1170-167	F	3	SCREW CROSS-RECESS, PH	3
	XA1-1170-187	F	3	SCREW CROSS-RECESS, PH	4
	XA1-1170-207	F	5	SCREW CROSS-RECESS, PH	2
	XA1-1170-307	F	4	SCREW CROSS-RECESS, PH	1
	XA1-6200-559	F	4	SCREW CROSS-RECESS, PH	3
	XA1-7170-167	F	3	SCREW CROSS-RECESS, PH	2
	XA1-7170-209	F	2	SCREW CROSS-RECESS, PH	3
	XA1-7170-287	F	4	SCREW CROSS-RECESS, PH	2
	XA1-7200-456	F	4	SCREW CROSS-RECESS, PH	2
	XA4-8170-407	F	3	SCREW CROSS-RECESS, FCH	2
	XA4-9170-306	F	1	SCREW CROSS-RECESS, PH	2



CANON LENS EF 28-80mm 1:2.8-4.0L USM

