

Canon

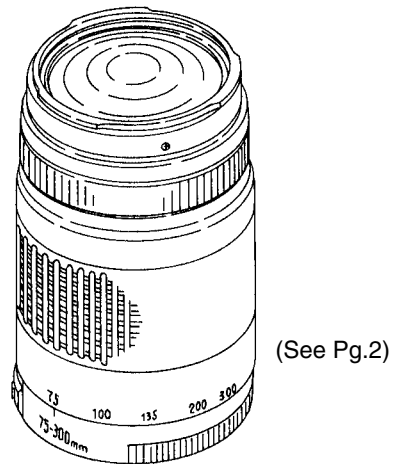
EF 75-300mm 1:4-5.6 III (DC)

REF.NO.C21-9892

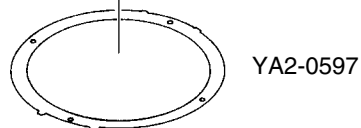
**PARTS
CATALOG**

CANON LENS EF 75-300 mm 1:4.0-5.6 III (DC)

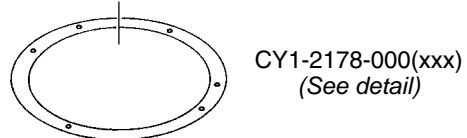
REF. C21-9892



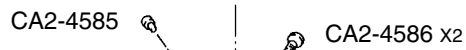
(See Pg.2)



YA2-0597

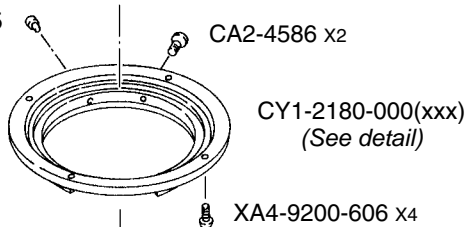


CY1-2178-000(xxx)
(See detail)



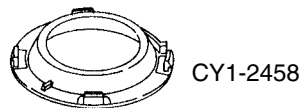
CA2-4585

CA2-4586 x2



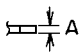
CY1-2180-000(xxx)
(See detail)

XA4-9200-606 x4

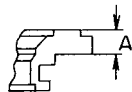


CY1-2458

CY1-2178-000(xxx) detail

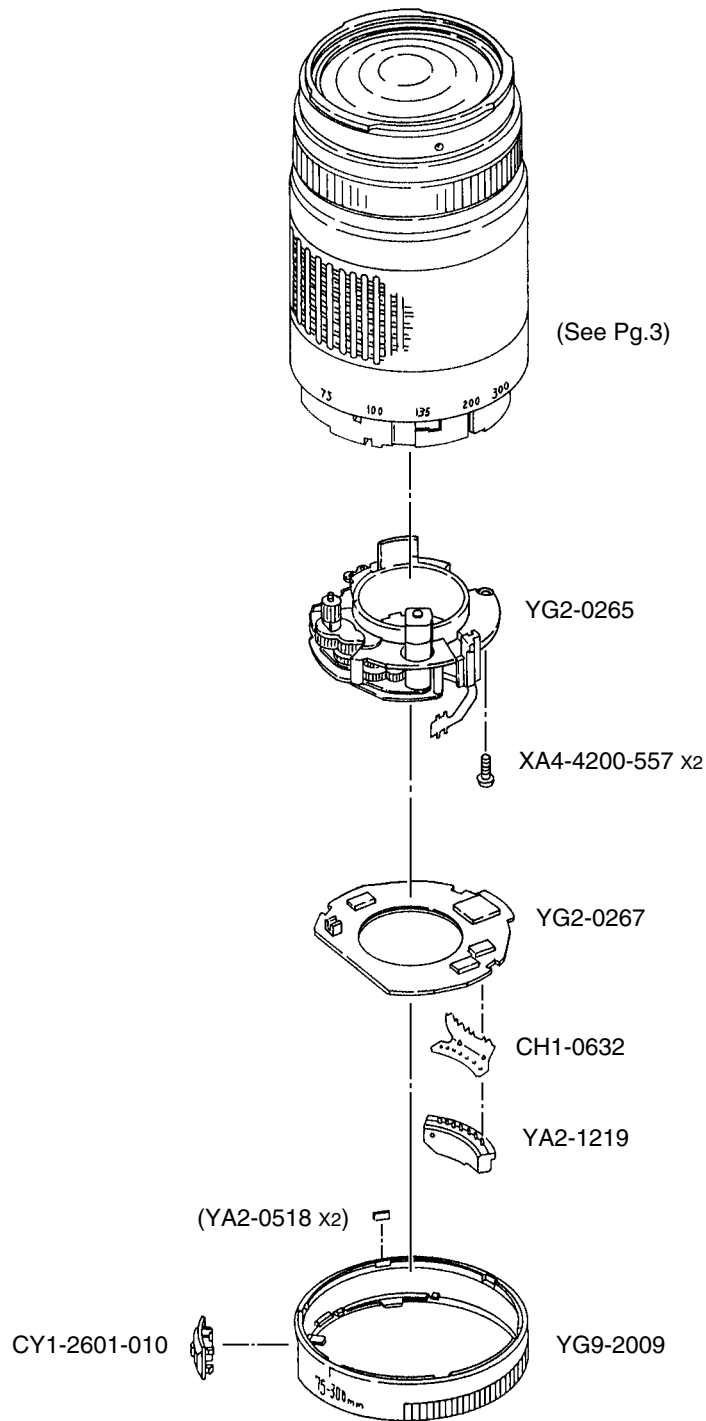
	A	SIZE
	0.02 mm (002)	
	0.05 mm (005)	

CY1-2180-000(xxx) detail

	A	SIZE
	2.0 mm (200)	
	2.1 mm (210)	
	2.2 mm (220)	
	2.3 mm (230)	
	2.4 mm (240)	
	2.5 mm (250)	
	2.6 mm (260)	
	2.7 mm (270)	

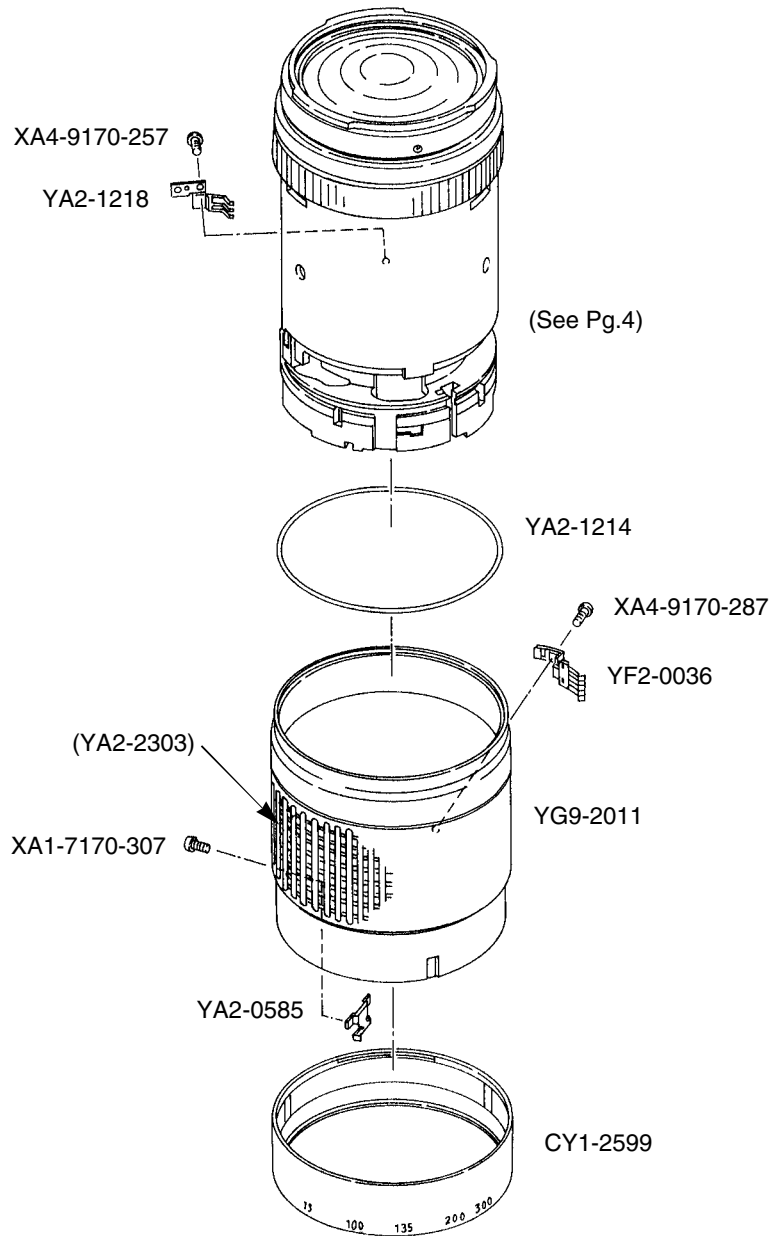
CANON LENS EF 75-300 mm 1:4.0-5.6 III (DC)

REF. C21-9892



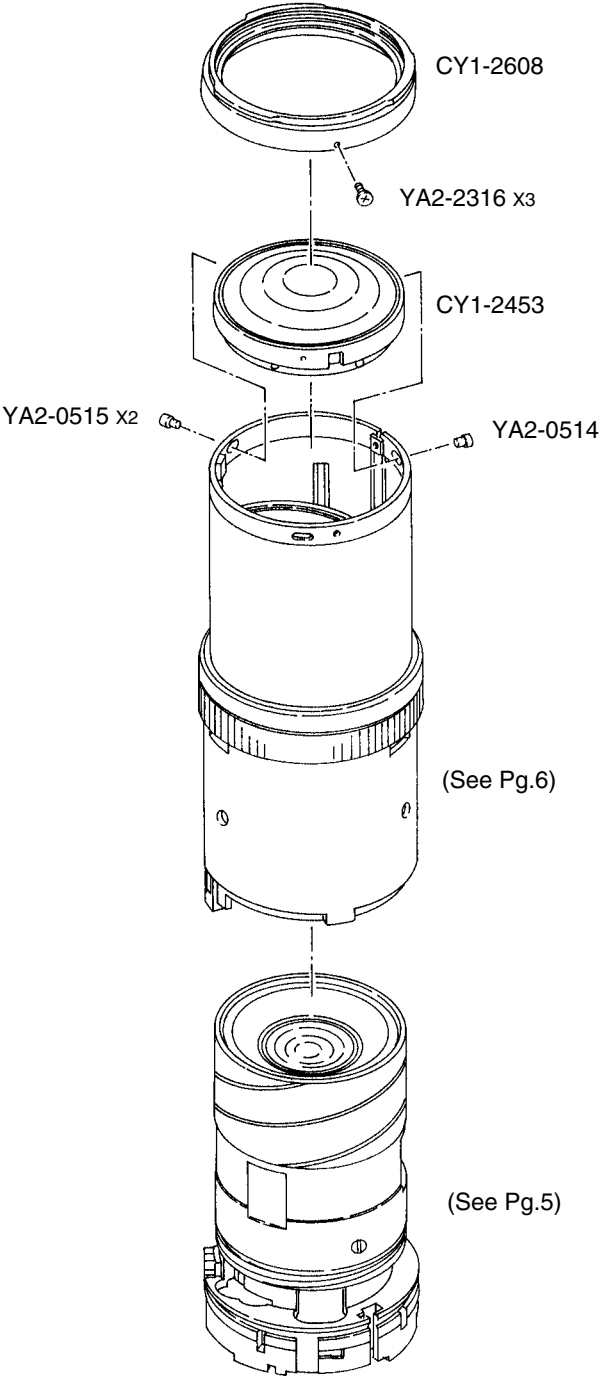
CANON LENS EF 75-300 mm 1:4.0-5.6 III (DC)

REF. C21-9892



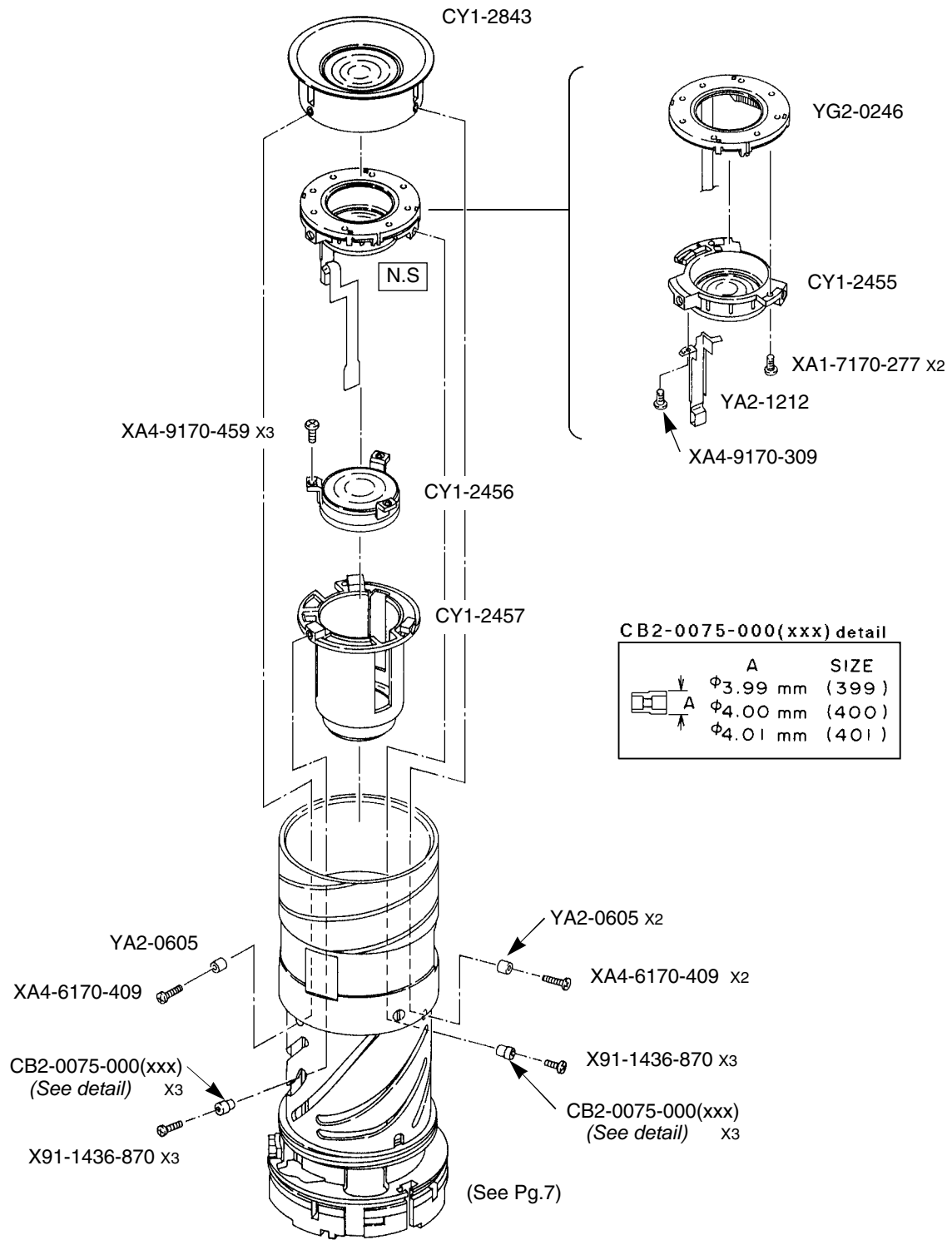
CANON LENS EF 75-300 mm 1:4.0-5.6 III (DC)

REF. C21-9892



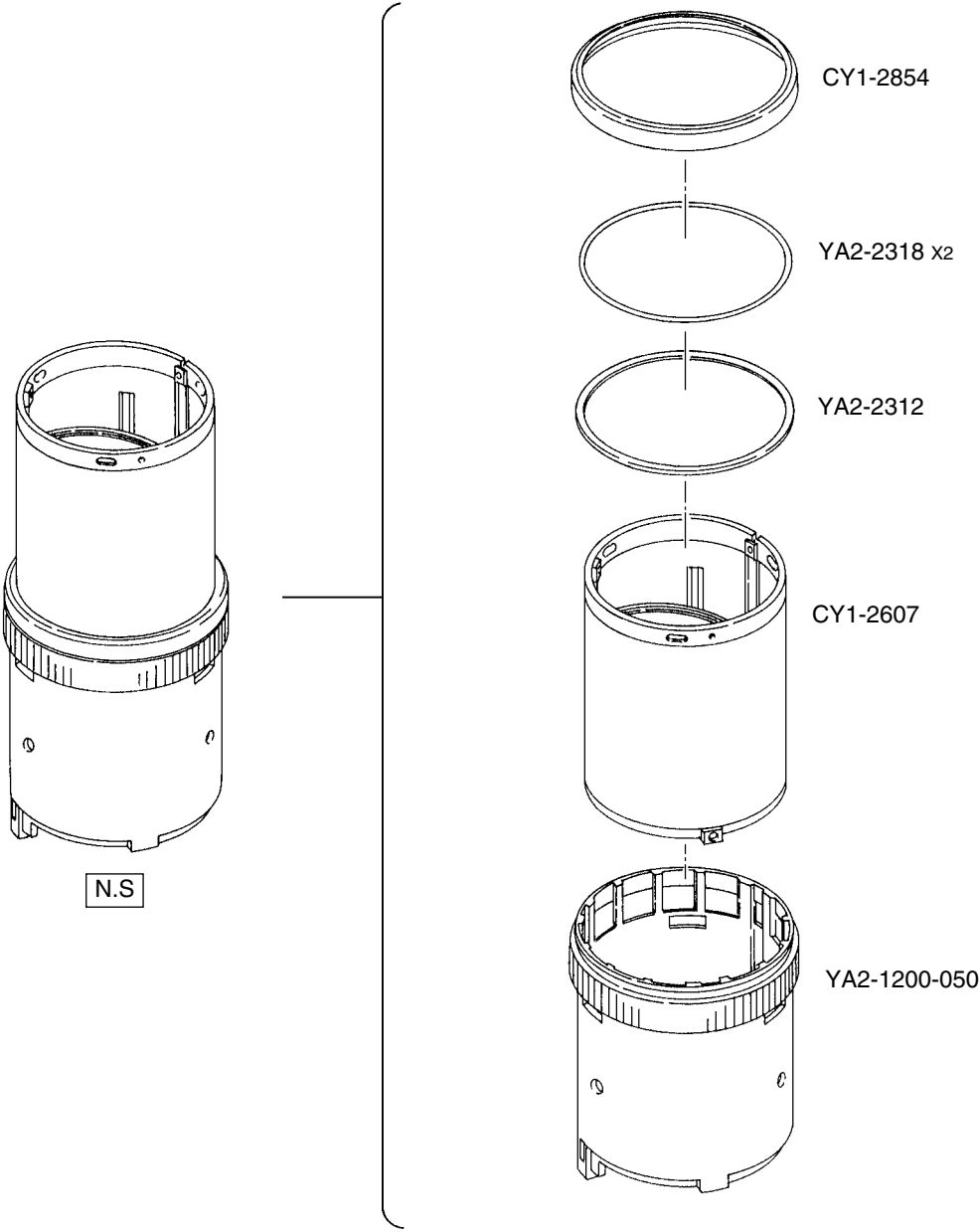
CANON LENS EF 75-300 mm 1:4.0-5.6 III (DC)

REF. C21-9892



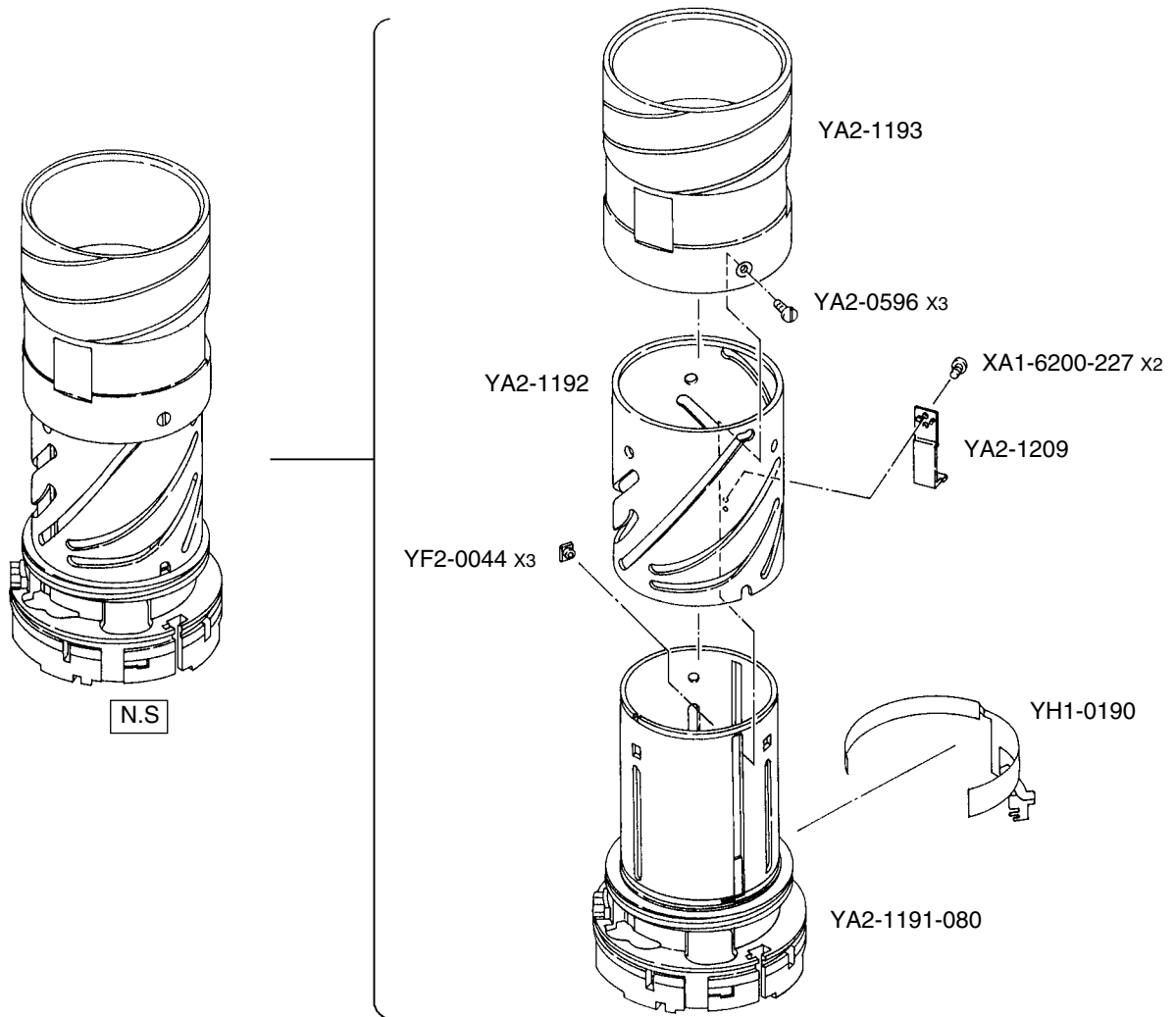
CANON LENS EF 75-300 mm 1:4.0-5.6 III (DC)

REF. C21-9892



CANON LENS EF 75-300 mm 1:4.0-5.6 III (DC)

REF. C21-9892



PARTS LIST

REF.No.C21-9892

NEW	PARTS NO.	CLASS	QTY	DESCRIPTION	PAGE
	CA2-4585-000	E	1	SCREW, MOUNT STOPPER	1
	CA2-4586-000	E	2	SCREW	1
	CB2-0075-000(XXX)	E	6	COLLAR, FOCUSING	5
	CH1-0632-000	E	1	M-FLX	2
	CY1-2178-000(XXX)	E	1	WASHER, MOUNT	1
	CY1-2180-000(XXX)	C	1	MOUNT, LENS	1
	CY1-2453-000	E	1	LENS G1/2.3 W/BARREL	4
	CY1-2455-000	E	1	LENS G6/7 W/FRAME	5
	CY1-2456-000	E	1	LENS G8/9.10 W/BARREL	5
	CY1-2457-000	E	1	LENS G11.12/13 W/BARREL	5
	CY1-2458-000	E	1	COVER, BACK	1
	CY1-2599-000	C	1	RING, ZOOMING SCALE	3
	CY1-2601-010	C	1	A/M SWITCH ASS'Y	2
	CY1-2607-000	C	1	OUTER HELICOID	6
	CY1-2608-000	C	1	RING, FRONT	4
	CY1-2843-000	E	1	LENS G4.5 W/BARREL	5
	CY1-2854-000	C	1	RING, NAME	6
	X91-1436-870		6	SCREW, CROSS-RECESS, PH	5
	XA1-6200-227		2	SCREW, CROSS-RECESS, PH	7
	XA1-7170-277		2	SCREW, CROSS-RECESS, PH	5
	XA1-7170-307		1	SCREW, CROSS-RECESS, PH	3
	XA4-4200-557		2	SCREW, CROSS-RECESS, PH	2
	XA4-6170-409		3	SCREW, CROSS-RECESS, PH	5
	XA4-9170-257		1	SCREW, CROSS-RECESS, PH	3
	XA4-9170-287		1	SCREW, CROSS-RECESS, PH	3
	XA4-9170-309		1	SCREW, CROSS-RECESS, PH	5
	XA4-9170-459		3	SCREW, CROSS-RECESS, PH	5
	XA4-9200-606		4	SCREW, CROSS-RECESS, PH	1
	YA2-0514-000	E	1	PIN	4
	YA2-0515-000	E	2	PIN, ADJUSTING	4
	YA2-0518-000	D	2	RUBBER, FRICTION	2
	YA2-0585-000	E	1	STOPPER, KEY	3
	YA2-0596-000	F	3	SCREW, CROSS-RECESS, PH	7
	YA2-0597-000	E	1	WASHER, MOUNT	1
	YA2-0605-000	D	3	COLLAR	5
	YA2-1191-080	E	1	BARREL, FIXED	7
	YA2-1192-000	E	1	BARREL, ZOOMING CAM	7
	YA2-1193-000	E	1	INNER HELICOID	7
	YA2-1200-050	E	1	RING, FOCUSING	6
	YA2-1209-000	E	1	KEY	7

PARTS LIST

REF.No.C21-9892

NEW	PARTS NO.	CLASS	QTY	DESCRIPTION	PAGE
	YA2-1212-000	E	1	HOLDER, EMD-FLX	5
	YA2-1214-000	E	1	SHIELD, DUST	3
	YA2-1218-000	D	1	BRUSH, FOCUSING	3
	YA2-1219-000	D	1	CONTACT ASS'Y	2
	YA2-2303-000	C	1	RING, RUBBER	3
	YA2-2312-000	D	1	RING, REINFORCEMENT	6
	YA2-2316-000		3	SCREW, CROSS-RECESS, PH	4
	YA2-2318-000	C	2	WASHER, DUST SHIELD	6
	YF2-0036-000	D	1	BRUSH, ZOOMING	3
	YF2-0044-000	E	3	KEY	7
	YG2-0246-000	C	1	POWER DIAPHRAGM UNIT	5
	YG2-0265-000	C	1	AF DRIVE UNIT	2
	YG2-0267-000	C	1	PCB ASS'Y, MAIN	2
	YG9-2009-000	C	1	RING, INDEX	2
	YG9-2011-000	C	1	RING, ZOOM	3
	YH1-0190-000	D	1	Z-FLX	7

CANON LENS EF 75-300 mm 1:4.0-5.6 III (DC)

REF. C21-9892

