

HG0808FCS-HSP

8mm F0.8

for 1/2 type Cameras, Aspherical High Speed Auto Iris DC Drive

CS-Mount

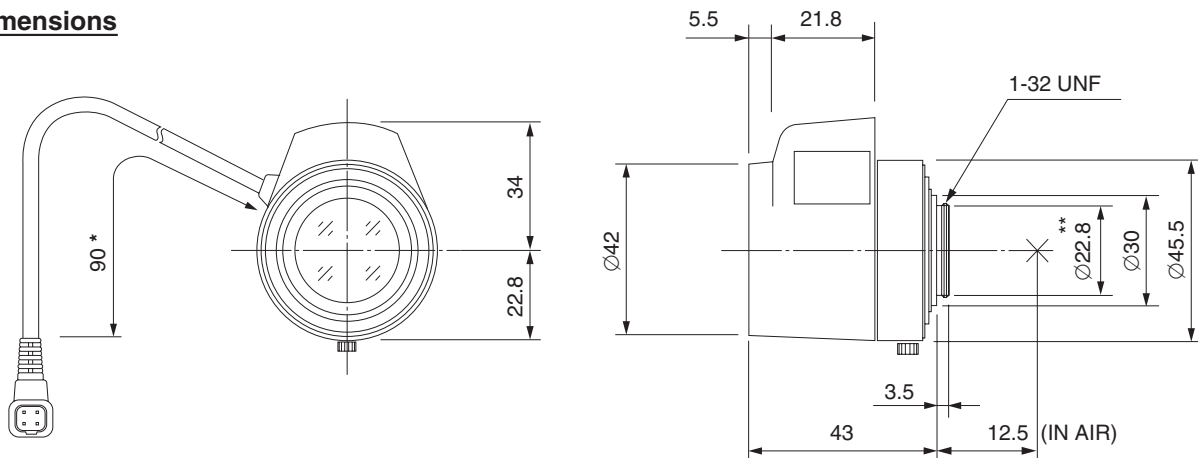
with Focus, w/o Amplifier

Model No.	HG0808FCS-HSP			Effective	Front	Ø28.0mm	
Focal Length	8mm			Lens Aperture	Rear	Ø13.3mm	
Max. Aperture Ratio	1:0.8			Back Focal Length		9.6mm	
Max. Image Format	6.4mm x 4.8mm(Ø8mm)			Flange Back Length		12.5mm	
Operation Range	Iris	F0.8 - F360C		Mount		CS-Mount	
	Focus	0.3m - Inf.		Filter Size		M40.5 P=0.5mm	
Control	Iris	DC Auto Iris		Dimensions		Ø42mm x 56.8mm x 43mm	
	Focus	Manual		Weight		120g	
Object Dimension at M.O.D.	24.8cm x 18.3cm						
Angle of View	D	1/2 type	55.1°	1/3 type	42.2°	1/4 type	31.9°
	H		44.9°		34.0°		25.6°
	V		34.0°		25.6°		19.3°
Coil	Drive	190Ω					
	Control	1000Ω					
Operating Temperature	-20°C - +50°C						

1/2 type

M.O.D : Minimum Object Distance

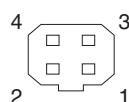
Dimensions



* : 310mm cable is available

CS

Wiring Diagram



Pin No.

1	BROWN	Control (-)
2	RED	Control (+)
3	YELLOW	Drive (+)
4	ORANGE	Drive (-)

**** : for B/W camera**
Using with a B/W camera, please use the attached "B/W aberration compensation filter" and "FB compensation spacer". The filter(M22 P=0.5mm) should be screwed onto the lens from rear side and the spacer should be placed between lens and camera.