

Canon

EF 28-90mm 1:4-5.6 II USM (Black)

EF 28-90mm 1:4-5.6 II USM (Silver)

REF.NO.C21-9983

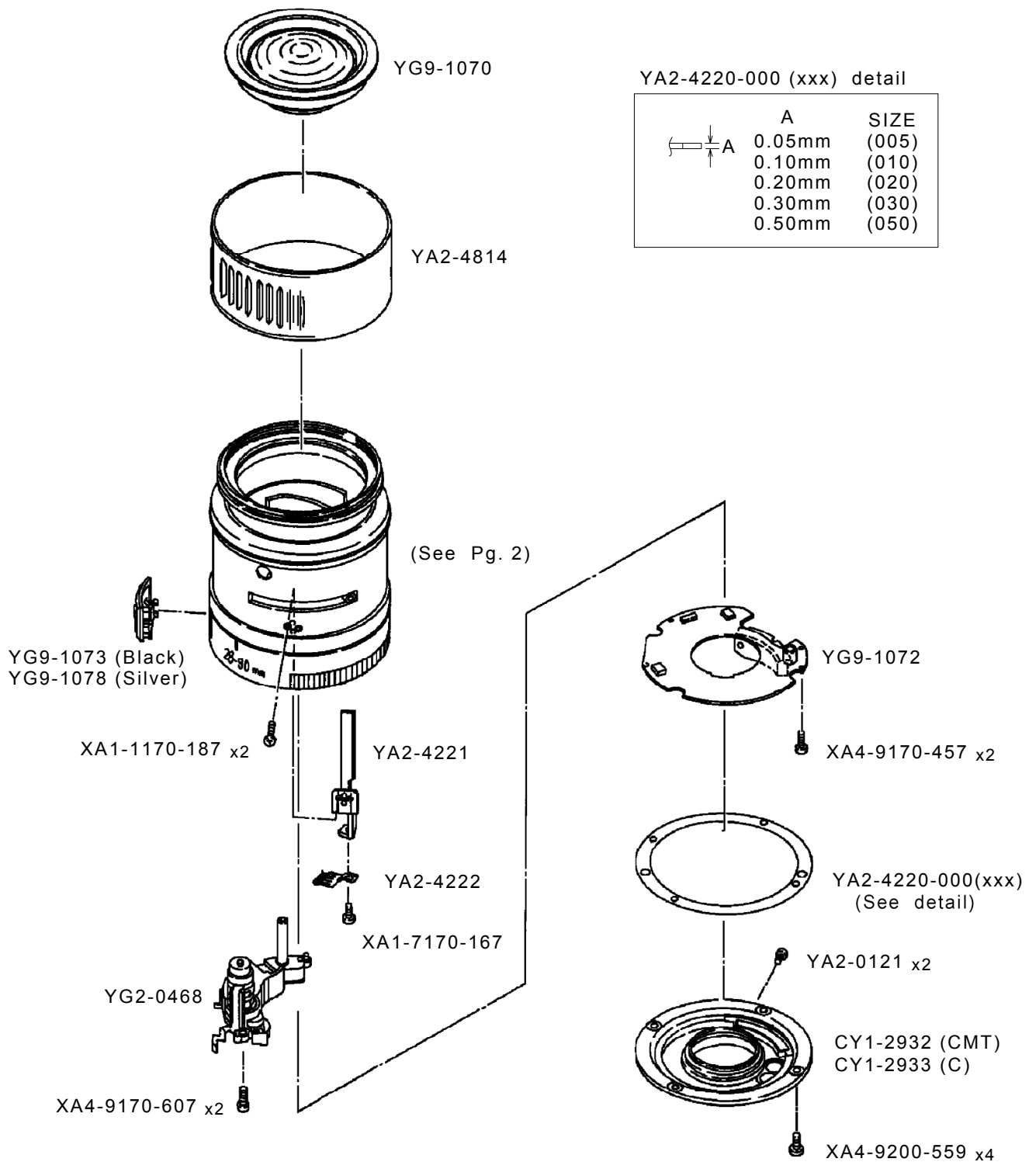
REF.NO.C21-9984

PARTS CATALOG

	Abbreviation	Country of Origin
1.	C	CANON INC.
2.	CMT	CANON INC. MADE IN TAIWAN

August. 2002

CANON LENS EF28-90mm 1:4-5.6 II USM (Black)
CANON LENS EF28-90mm 1:4-5.6 II USM (Silver)



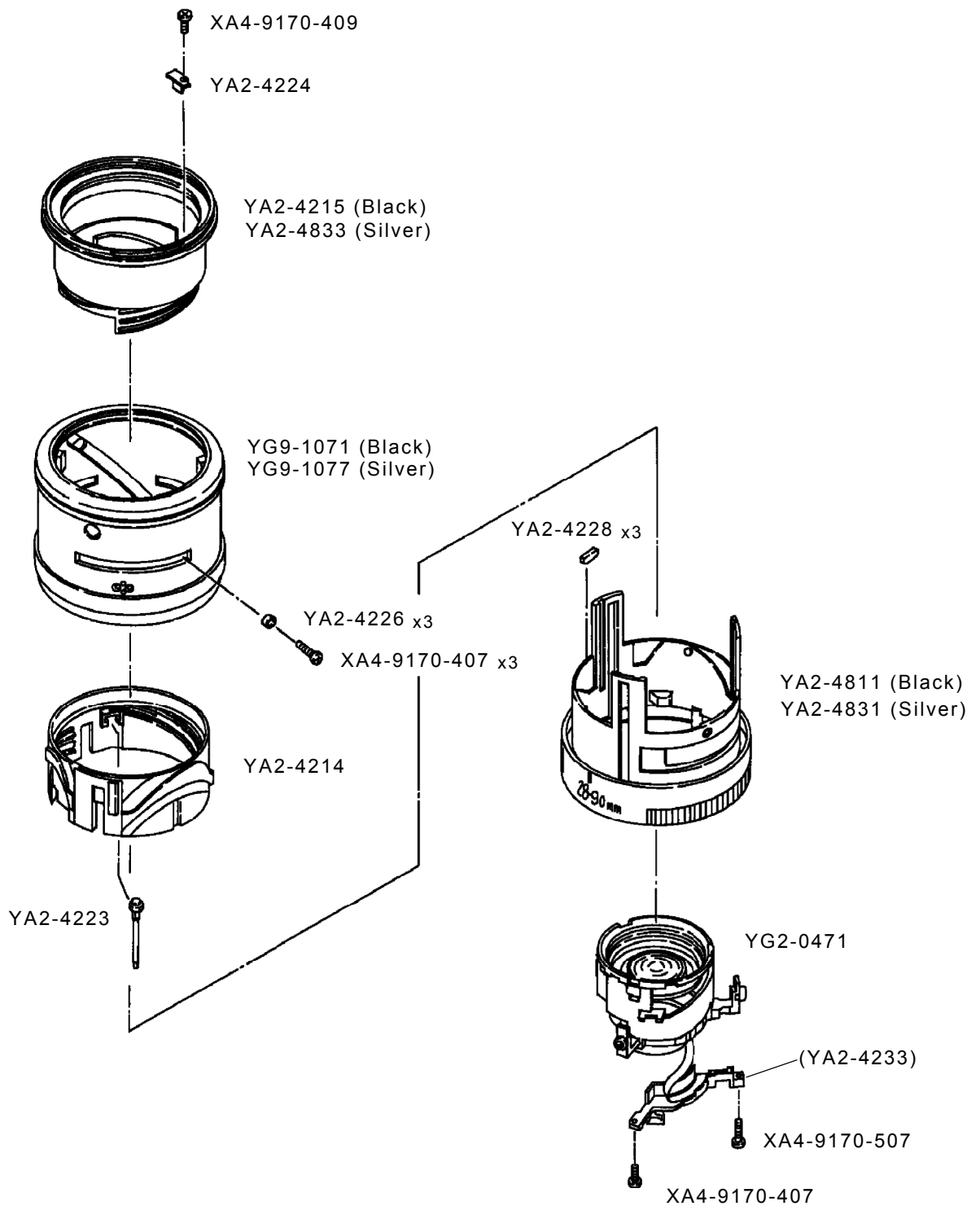
PARTS LIST

REF.NO. C21-9983

REF.NO. C21-9984

NEW	PARTS NO.	CLASS	QTY	DESCRIPTION
	CY1-2932-000	B	1	MOUNT (CMT)
	CY1-2933-000	B	1	MOUNT (C)
	XA1-1170-187		2	SCREW, CROSS-RECESS, PH
	XA1-7170-167		1	SCREW, CROSS-RECESS, PH
	XA4-9170-457		2	SCREW, CROSS-RECESS, PH
	XA4-9170-607		2	SCREW, CROSS-RECESS, PH
	XA4-9200-559		4	SCREW, CROSS-RECESS, PH
	YA2-0121-000		2	SCREW, CROSS-RECESS, PH
	YA2-4220-000(xxx)	C	1	WASHER, MOUNT
	YA2-4221-000	C	1	KEY, ZOOM
	YA2-4222-000	C	1	BRUSH, ZOOM
*	YA2-4814-000	B	1	RING, RUBBER
	YG2-0468-000	C	1	FOCUSING UNIT
*	YG9-1070-000	B	1	FIRST LENS UNIT
*	YG9-1072-000	C	1	PCB ASS'Y, MAIN
*	YG9-1073-000	B	1	A/M SWITCH ASS'Y (Black)
*	YG9-1078-000	B	1	A/M SWITCH ASS'Y (Silver)

CANON LENS EF28-90mm 1:4-5.6 II USM (Black)
CANON LENS EF28-90mm 1:4-5.6 II USM (Silver)



PARTS LIST

REF.NO. C21-9983

REF.NO. C21-9984

NEW	PARTS NO.	CLASS	QTY	DESCRIPTION
	XA4-9170-407		4	SCREW, CROSS-RECESS, PH
	XA4-9170-409		1	SCREW, CROSS-RECESS, PH
	XA4-9170-507		1	SCREW, CROSS-RECESS, PH
	YA2-4214-000	C	1	BARREL, OUTER HELICOID
	YA2-4215-000	B	1	BARREL, INNER HELICOID (Black)
	YA2-4223-000	C	1	GEAR, FOCUSING
	YA2-4224-000	C	1	STOPPER, FOCUSING
	YA2-4226-000	C	3	COLLAR, ZOOMING
	YA2-4228-000	C	3	CUSHION, ZOOM
	YA2-4233-000	C	1	HOLDER,EMD-FLX
*	YA2-4811-000	B	1	BARREL, FIXED (Black)
*	YA2-4831-000	B	1	BARREL, FIXED (Silver)
*	YA2-4833-000	B	1	BARREL, INNER HELICOID (Silver)
	YG2-0471-000	C	1	REAR LENS UNIT
*	YG9-1071-000	B	1	ZOOM RING ASS'Y (Black)
*	YG9-1077-000	B	1	ZOOM RING ASS'Y (Silver)

CANON LENS EF28-90mm 1:4-5.6 II USM (Black)
CANON LENS EF28-90mm 1:4-5.6 II USM (Silver)

