



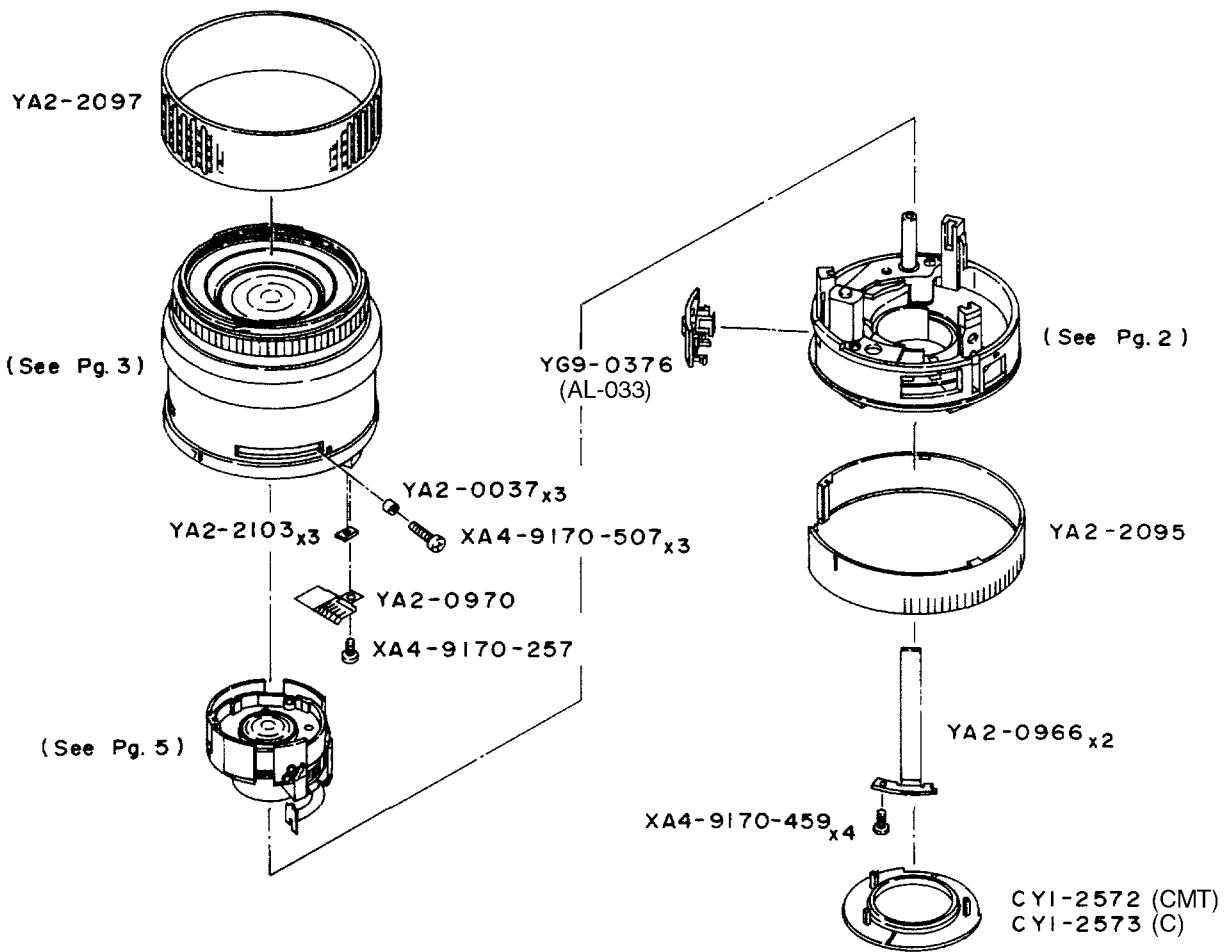
EF 38-76mm 1:4.5-5.6

REF.NO.C21-9821

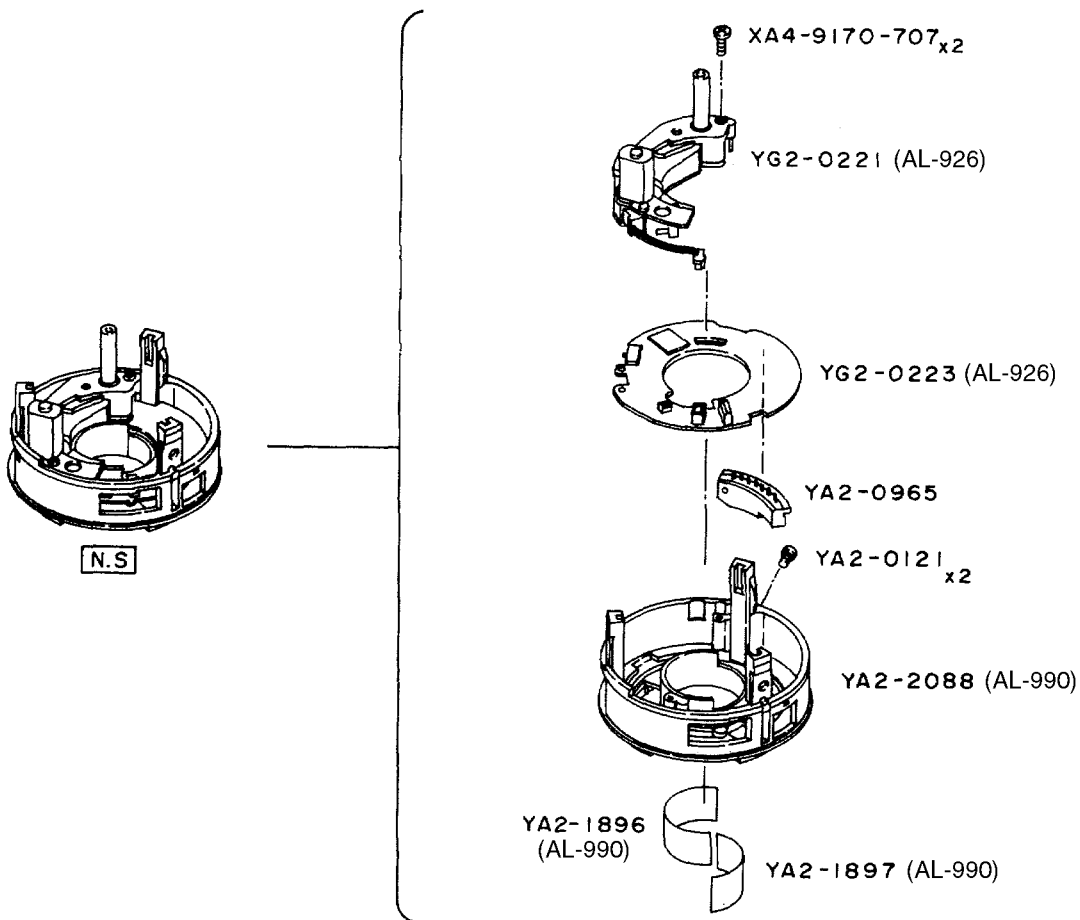
PARTS CATALOG

CODE	Country of Origin
C	CANON INC.
CJ	CANON INC. JAPAN
CJMM	CANON INC. JAPAN MADE IN MALAYSIA
CJMC	CANON INC. JAPAN MADE IN CHINA
CMJ	CANON INC. MADE IN JAPAN
CMT	CANON INC. MADE IN TAIWAN

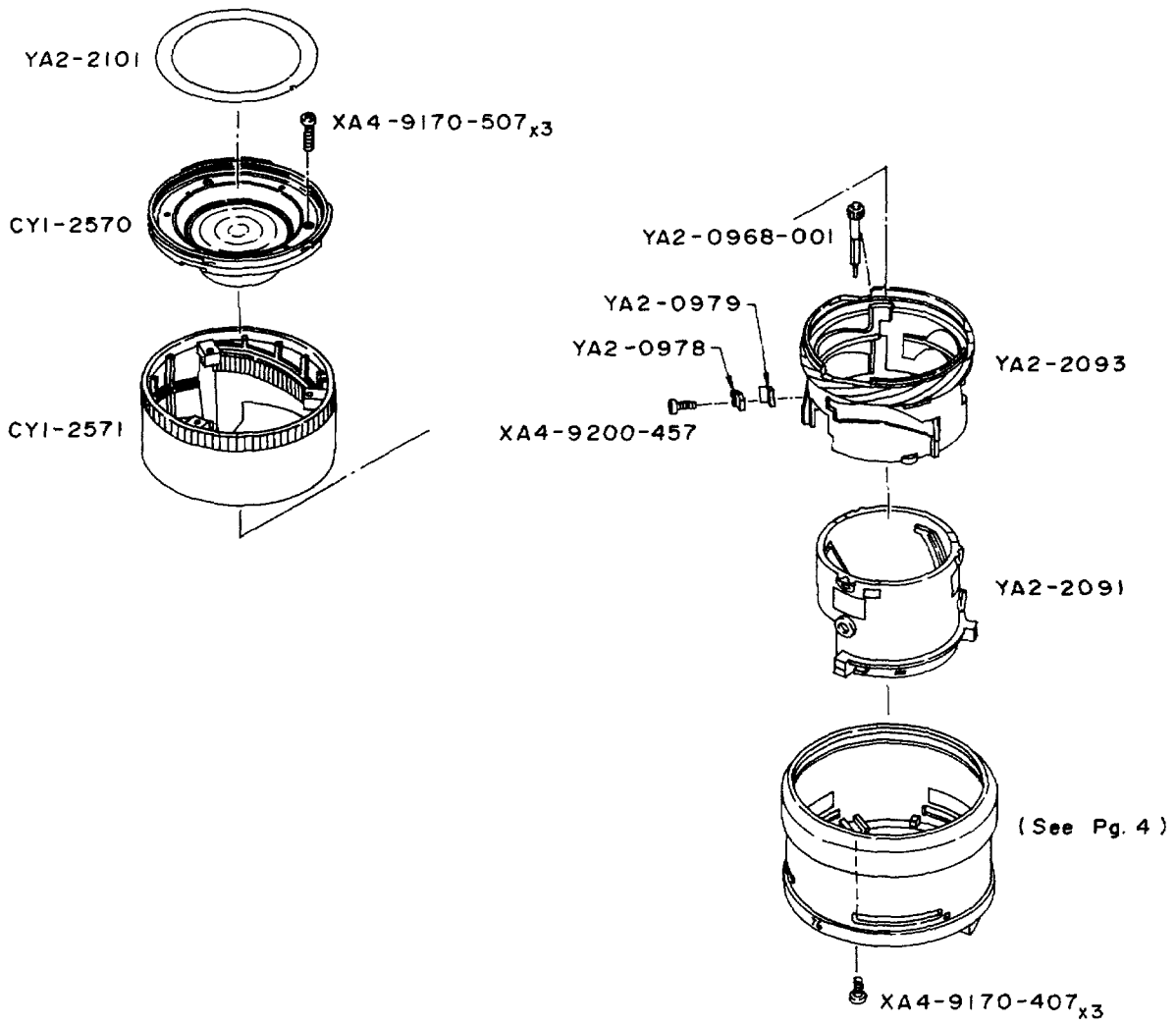
CANON LENS EF 38-76 mm 1:4.5-5.6



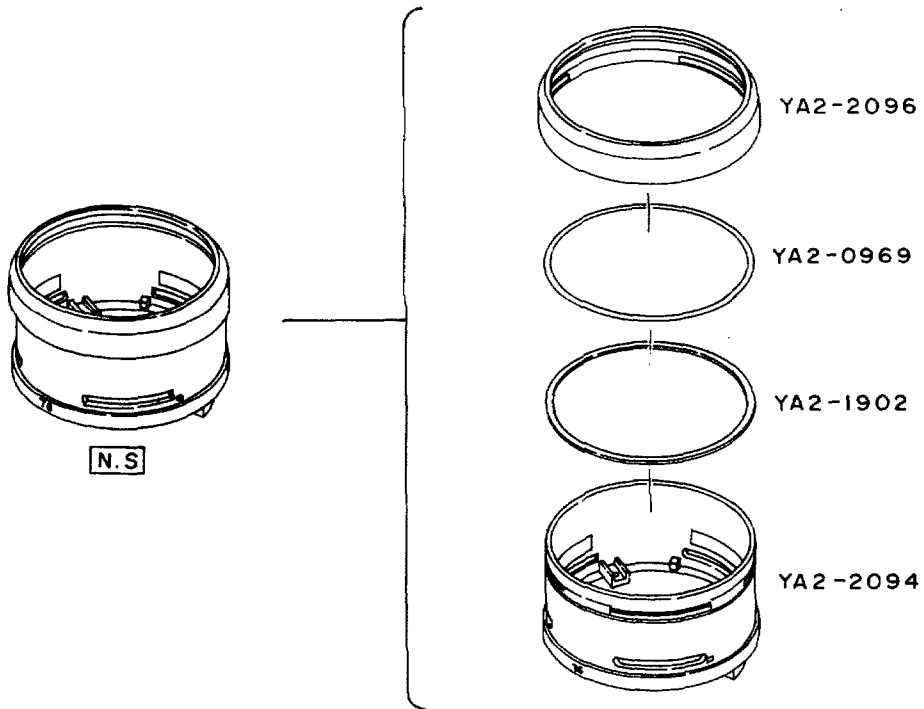
CANON LENS EF 38-76 mm 1:4.5-5.6



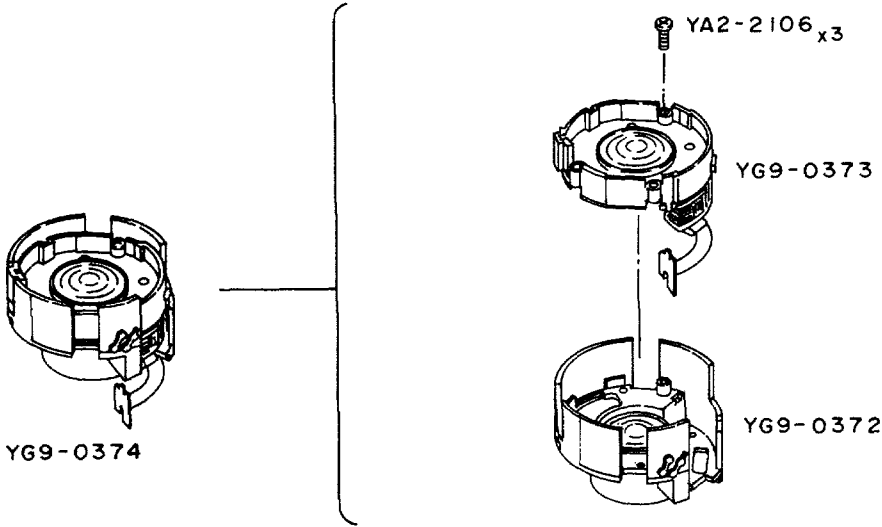
CANON LENS EF 38-76 mm 1:4.5-5.6



CANON LENS EF 38-76 mm 1:4.5-5.6



CANON LENS EF38-76 mm 1:4.5-5.6



PARTS LIST

REF.No.C21-9821

NEW	PARTS NO.	CLASS	QTY	DESCRIPTION	PAGE
	CY1-2570-000	C	1	FRONT LENS ASS'Y	3
	CY1-2571-000	C	1	HELICOID, OUTER	3
	CY1-2572-000	D	1	COVER, BACK (CMT)	1
	CY1-2573-000	D	1	COVER, BACK (C)	1
	XA4-9170-257		1	SCREW, CROSS-RECESS, PH	1
	XA4-9170-407		3	SCREW, CROSS-RECESS, PH	3
	XA4-9170-459		4	SCREW, CROSS-RECESS, PH	1
	XA4-9170-507		6	SCREW, CROSS-RECESS, PH	1.3
	XA4-9170-707		2	SCREW, CROSS-RECESS, PH	2
	XA4-9200-457		1	SCREW, CROSS-RECESS, PH	3
	YA2-0037-000	D	3	COLLAR, ZOOMING	1
	YA2-0121-000		2	SCREW, SLOTTED, FFH	2
	YA2-0965-000	D	1	CONTACT ASS'Y	2
	YA2-0966-000	E	2	KEY	1
	YA2-0968-001	E	1	GEAR, FOCUSING	3
	YA2-0969-000	E	1	WASHER, DUST SHIELD	4
	YA2-0970-000	D	1	BRUSH, ZOOMING	1
	YA2-0978-000	E	1	STOP, FOCUSING	3
	YA2-0979-000	E	1	STOP, RUBBER	3
	YA2-1896-000	D	1	STRIP, ANTI RIFLECTION	2
	YA2-1897-000	D	1	STRIP, ANTI RIFLECTION	2
	YA2-1902-000	E	1	RING, REINFORCEMENT	4
	YA2-2088-000	C	1	MOUNT	2
	YA2-2091-000	D	1	BARREL, CAM	3
	YA2-2093-000	C	1	HELICOID, INNER	3
	YA2-2094-000	C	1	RING, ZOOMING	4
	YA2-2095-000	C	1	RING, INDEX	1
	YA2-2096-000	D	1	RING, NAME	4
	YA2-2097-000	C	1	RING, RUBBER	1
	YA2-2101-000	C	1	SHEET, NAME	3
	YA2-2103-000	D	3	RUBBER, FRICTION	1
	YA2-2106-000		3	SCREW, CROSS-RECESS, PH	5
	YG2-0221-000	C	1	AF DRIVE UNIT	2
	YG2-0223-000	C	1	MAIN PCB ASS'Y	2
	YG9-0372-000	C	1	REAR LENS ASS'Y	5
	YG9-0373-000	C	1	POWER DIAPHRAGM UNIT	5
	YG9-0374-000	C	1	LENS/DIAPHRAGM UNIT	5
	YG9-0376-000	C	1	A/M SWITCH ASS'Y	1

CANON LENS EF 38-76mm 1:4.5-5.6

