

***Part 5***



***Parts  
Catalog***



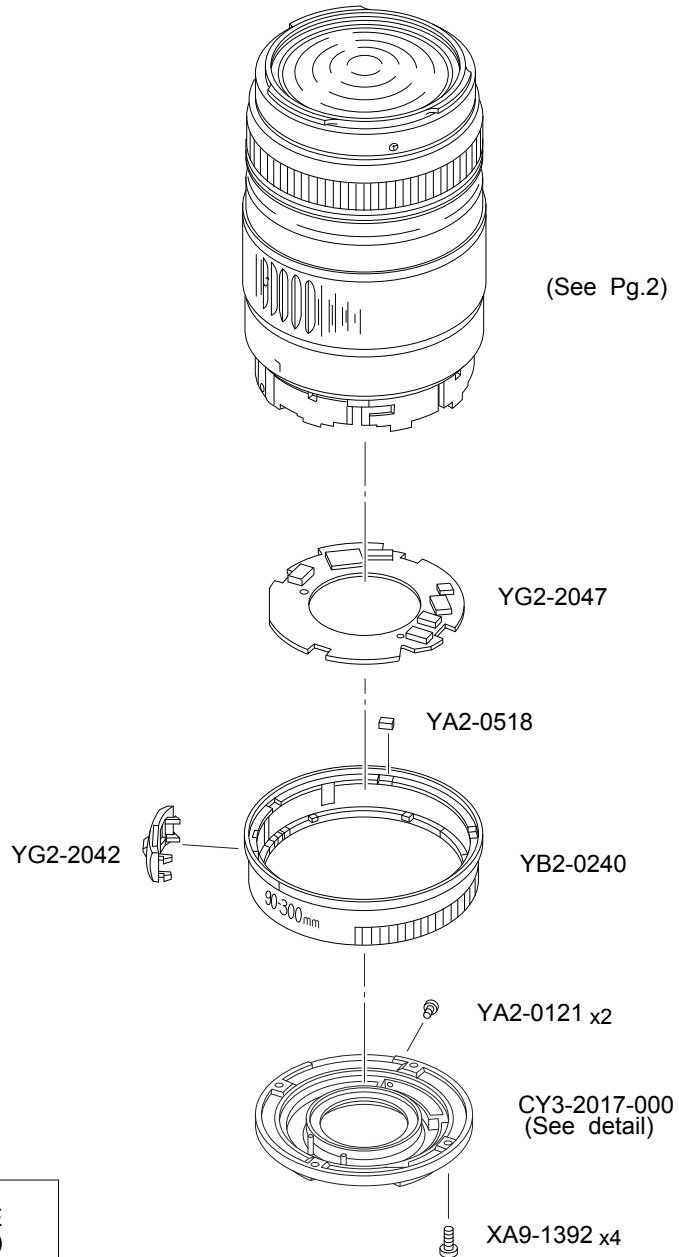
**Canon**

**EF 90-300mm 1:4.5-5.6**

**REF.NO.C21-0162**

**PARTS  
CATALOG**

# CANON LENS EF90-300mm 1:4.5-5.6



CY3-2017-000(XXX) detail

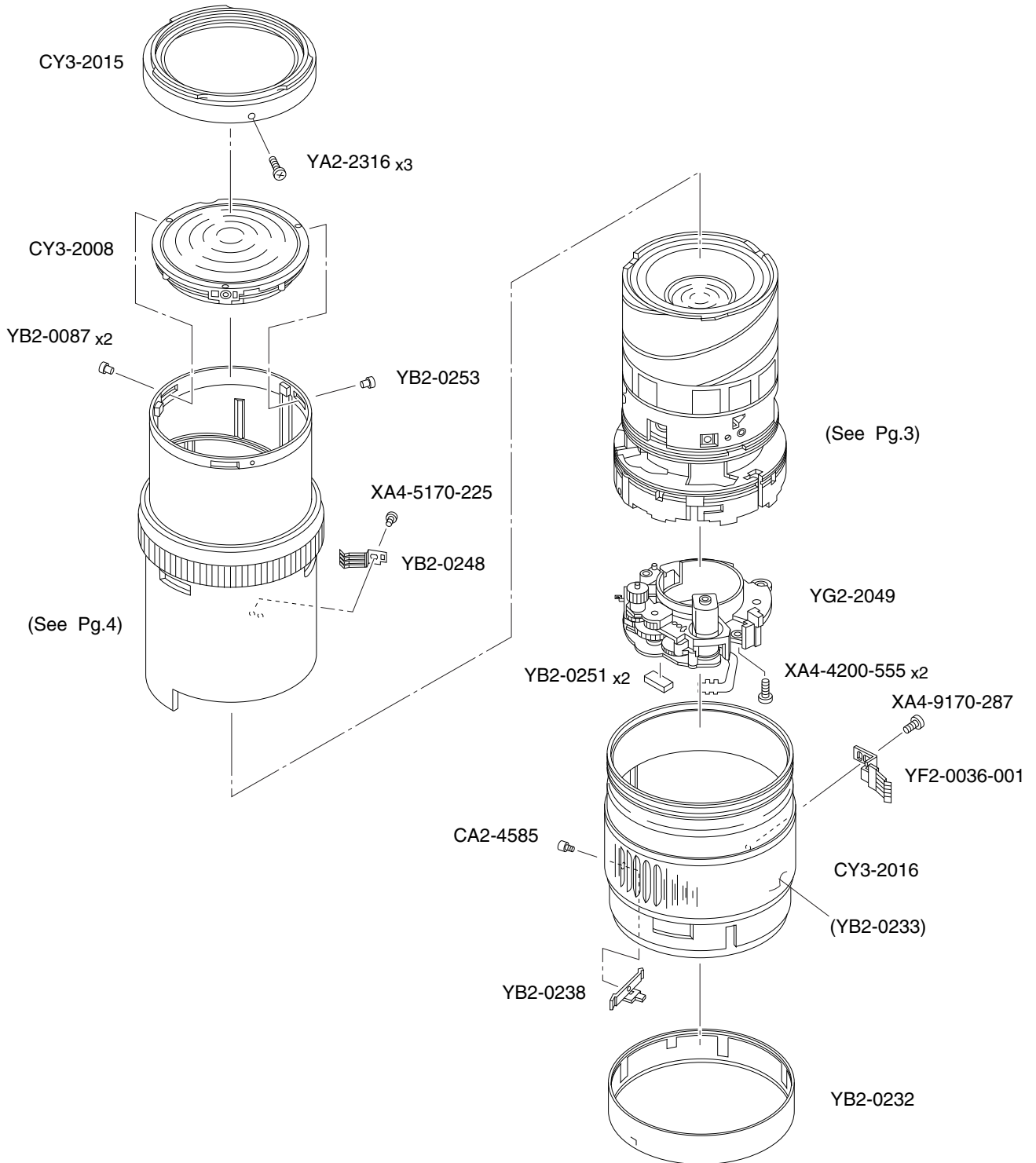
A	SIZE
2.10 mm	(210)
2.30 mm	(230)
2.50 mm	(250)
2.70 mm	(270)
2.90 mm	(290)
3.10 mm	(310)
3.30 mm	(330)

# PARTS LIST

REF.No.C21-0162

NEW	PARTS NO.	CLASS	QTY	DESCRIPTION
*	CY3-2017-000(XXX)	B	1	MOUNT, LENS
*	XA9-1392-000	C	4	SCREW
	YA2-0121-000	C	2	SCREW
	YA2-0518-000	C	1	RUBBER, FRICTION
*	YB2-0240-000	B	1	RING, INDEX
*	YG2-2042-000	B	1	SWITCH ASSY, A/M
*	YG2-2047-000	B	1	PCB ASSY, MAIN

# CANON LENS EF90-300mm 1:4.5-5.6

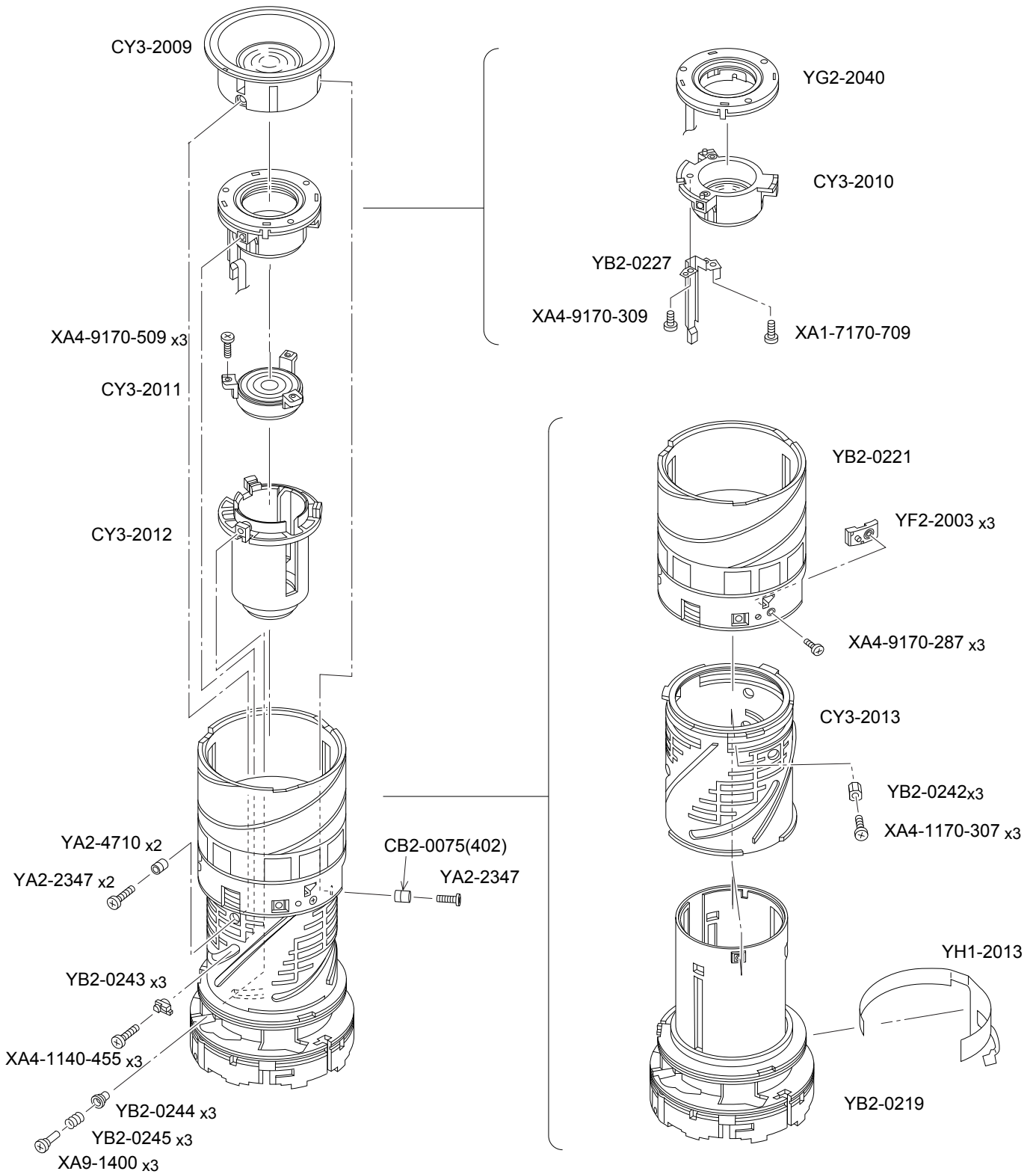


# PARTS LIST

REF.No.C21-0162

NEW	PARTS NO.	CLASS	QTY	DESCRIPTION
	CA2-4585-000		1	SCREW, CROSS-RECESS, PH
*	CY3-2008-000	B	1	LENS ASS'Y, 1ST
*	CY3-2015-000	B	1	RING, FRONT
*	CY3-2016-000	B	1	ZOOM RING ASS'Y
	XA4-4200-555		2	SCREW, CROSS-RECESS, PH
	XA4-5170-225		1	SCREW, CROSS-RECESS, PH
	XA4-9170-287		1	SCREW, CROSS-RECESS, PH
	YA2-2316-000	C	3	SCREW, CROSS-RECESS, PH
	YB2-0087-000	C	2	PIN, ADJUSTING
*	YB2-0232-000	B	1	RING, ZOOMING SCALE
*	YB2-0233-000	C	1	RING, RUBBER
*	YB2-0238-000	C	1	PLATE, ZOOM COUPLING
*	YB2-0248-000	C	1	BRUSH, FOCUSING
*	YB2-0251-000	C	2	SHEET, RUBBER
*	YB2-0253-000	C	1	PIN
	YF2-0036-001	C	1	BRUSH, ZOOMING
*	YG2-2049-000	B	1	FOCUSING UNIT

# CANON LENS EF90-300mm 1:4.5-5.6



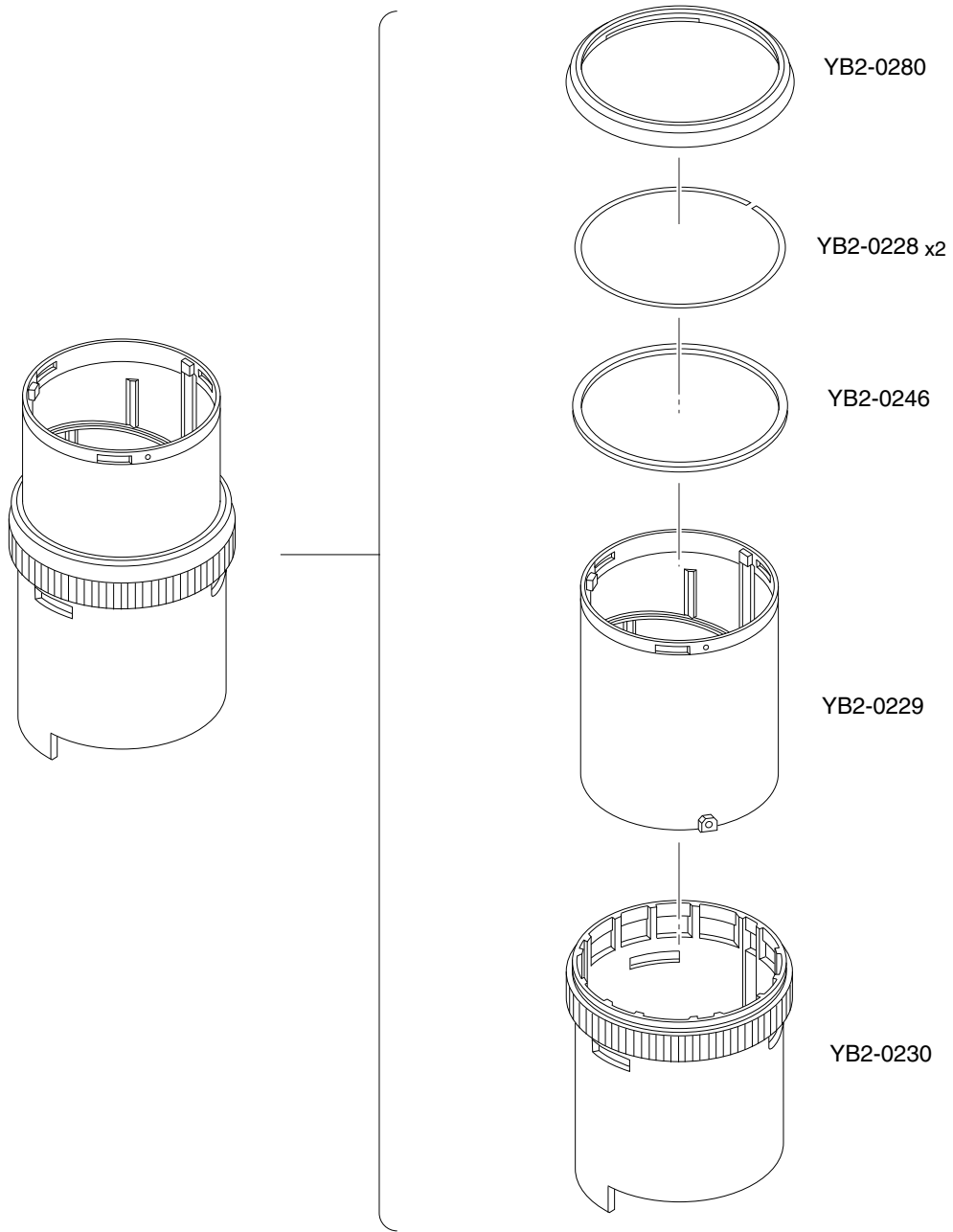


# PARTS LIST

REF.No.C21-0162

NEW	PARTS NO.	CLASS	QTY	DESCRIPTION
	CB2-0075-000(402)	D	1	COLLAR
*	CY3-2009-000	C	1	LENS ASS'Y, 2ND
*	CY3-2010-000	C	1	LENS ASS'Y, 3RD
*	CY3-2011-000	C	1	LENS ASS'Y, 4TH
*	CY3-2012-000	C	1	LENS ASS'Y, 5TH
*	CY3-2013-000	B	1	BARREL, ZOOMING CAM
	XA1-7170-709		1	SCREW, CROSS-RECESS, PH
	XA4-1140-455		3	SCREW, CROSS-RECESS, PH
	XA4-1170-307		3	SCREW, CROSS-RECESS, PH
	XA4-9170-287		3	SCREW, CROSS-RECESS, PH
	XA4-9170-309		1	SCREW, CROSS-RECESS, PH
	XA4-9170-509		3	SCREW, CROSS-RECESS, PH
*	XA9-1400-000	C	3	PIN
	YA2-2347-000	C	3	SCREW, CROSS-RECESS, PH
	YA2-4710-000	C	2	COLLAR
*	YB2-0219-000	C	1	BARREL, FIXED
*	YB2-0221-000	C	1	BARREL, STRAIGHT
*	YB2-0227-000	C	1	HOLDER, EMD-FLX
*	YB2-0242-000	C	3	COLLAR, GUIDE
*	YB2-0243-000	C	3	COLLAR
*	YB2-0244-000	C	3	COLLAR, TAPER
*	YB2-0245-000	C	3	SPRING, COIL
*	YF2-2003-000	C	3	KEY
*	YG2-2040-000	B	1	POWER DIAPHRAGM UNIT
*	YH1-2013-000	C	1	FPC, ZOOM

# CANON LENS EF90-300mm 1:4.5-5.6



# PARTS LIST

REF.No.C21-0162

NEW	PARTS NO.	CLASS	QTY	DESCRIPTION
*	YB2-0228-000	C	2	WASHER, DUST SHIELD
*	YB2-0229-000	C	1	BARREL, OUTER HELICOID
*	YB2-0230-000	C	1	RING, FOCUSING
*	YB2-0246-000	C	1	RING, REINFORCEMENT
*	YB2-0280-000	C	1	RING, NAME

CANON LENS EF90-300mm 1:4.5-5.6

