



# **NOKTON 40mm F1.2 Aspherical E-mount**

INSTRUCTION MANUAL

Voigtländer E-mount lenses are designed for use on E-mount camera body. The lenses cover the full frame format. They are manually controlled lenses so the user sets focus and aperture - the built-in CPU will transmit the information to the camera body to give the user Exif-data, and depending on the specification of the camera Auto-lens-correction, 5 axis-Image Stabilization as well as Manual-Focus Assist.

### **Features of Voigtländer E-mount lens**

- Built-in CPU for Full Frame E-mount camera bodies
- Lens Construction Design for Digital Sensor
- All Metal Lens Barrel for long life
- Smooth Focus Ring for precise focusing

## Tips for lens care and safety

These tips are to protect the user from injury or damaging the lens.



**WARNING**

If the user ignores this warning sign and uses the equipment the wrong way serious injuries and even death might be the result.



**CAUTION**

If the user ignores this caution sign it might result in injuries and damage the equipment.



**WARNING**

Never look directly at the sun with a telephoto lens as this can damage your eyes.



**CAUTION**

Keep the lens, camera and accessories out of reach of children.



**CAUTION**

Store the lens away from direct sunlight and always store the lens with lens-cap on. Failure to do so can create a fire hazard.

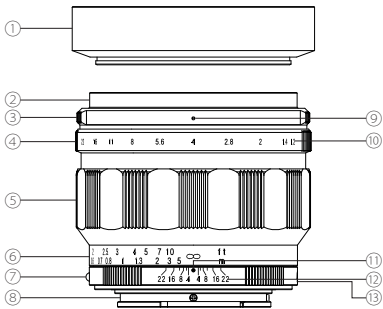
---

Never touch the lens surface. In case it is dirty or dusty use commercial lens cleaner or appropriate lens cleaning cloth.

## Description of Parts

---

- ① Lens Hood
- ② Filter Ring
- ③ Aperture Control Ring
- ④ Aperture Ring
- ⑤ Focus Ring
- ⑥ Distance Scale
- ⑦ Mount Index
- ⑧ Mount
- ⑨ Aperture Index
- ⑩ Aperture Scale
- ⑪ Distance Index
- ⑫ Depth of Field Scale
- ⑬ Depth of Field Ring



## ● How to attach/detach the lens

Please refer to the instruction manual for your camera for how to attach/detach the lens.

\* Please make sure to set the power of the camera to "OFF".

Please hold Depth of Field Ring ③ to attach/detach the lens. To attach/detach the lens while holding other parts of the lens barrel can damage the lens.

## ● Attaching Lens Hood

Screw the Lens Hood ① to the front of the lens.

## ● Attaching Filter

1. Screw the filter (Ø58mm) to the front of the lens.
2. Screw the Lens Hood ① into the thread of the filter when using the Lens Hood ① together with the filter.

\* Do not screw the filter into the thread of the Lens Hood ①. This may cause vignetting.

## ● Selective Aperture Control System

You can choose two modes – with or without Click Stops - on the Aperture Control Ring.

1. Push the Aperture Control Ring ③ towards the Aperture Ring ④ .
2. Turn the Aperture Control Ring ③ 180 degrees.
3. Make sure to align the 2 indexes ⑨ and ⑩ .

\* If the white mark on the Aperture Control Ring ③ is in line with the indexes, the lens is in Click Stop-mode. The yellow mark indicates the Clickless-mode.

## How CPU/Contact works

---

### 1. Exif Data

Picture can store the Exif data of lens.

(For example, if you use Voigtländer 40mm F1.2 E-mount)

|      |   |
|------|---|
| Lens | E 40mm F1.2 or Voigtlander NOKTON<br>40mm F1.2 Aspherical |
|------|---|

\* Description may be changed depending  
on firmware version or other factors.

|              |      |
|--------------|------|
| Focal length | 40mm |
|--------------|------|

|                  |      |
|------------------|------|
| Maximum Aperture | F1.2 |
|------------------|------|

|          |  |
|----------|--|
| Aperture | The aperture value you used to take<br>the picture |
|----------|--|

\* Some camera bodies can not transmit data correctly.

### 2. Lens Correction Data

The lens stores the data for lens correction. You can set Auto Lens Correction on camera bodies;

|          |            |
|----------|------------|
| Fall off | Auto / Off |
|----------|------------|

|                      |            |
|----------------------|------------|
| Chromatic Aberration | Auto / Off |
|----------------------|------------|

|            |            |
|------------|------------|
| Distortion | Auto / Off |
|------------|------------|

\* On some camera bodies, you can not choose Auto Lens Correction Mode. In that case, a setting depends on the camera.

### 3. Manual Focus Assist

Magnified Live View Image will be seen on the camera's LCD screen when the camera detects the Focus Ring rotation. You can choose duration of the mode by MENU of camera body. Please refer to the instruction manual of your camera.

\* On some camera bodies, you can not use this function.

### 4. Focus Distance Setting

Focus Distance Setting Indication can be seen on the camera's LCD display when the Focus Ring rotation is detected by the camera.

\* Please set "MF Mode" to use this function.

\* On some camera bodies, you can not use this function.

### 5. 5-Axis Image Stabilization

The Nokton 40mm F1.2 E-mount lens is compatible with E-mount cameras with built-in multi-axis Image Stabilization.



## ● Specifications

|                      |   |
|----------------------|---|
| Product Name         | NOKTON 40mm F1.2 Aspherical                     |
| Focal Length         | 40mm  |
| Maximum Aperture     | F1.2  |
| Minimum Aperture     | F22   |
| Lens Construction    | 6 groups 8 elements                             |
| Angle of View        | 55°   |
| Aperture Blade       | 10  |
| Minimum Focus        | 0.35m   |
| Macro Ratio          | 1:6.2   |
| Filter Size          | Ø58mm   |
| Maximum Diameter     | Approx. Ø70.1mm                                 |
| Length               | Approx. 59.3mm                                  |
| Weight               | Approx. 420g                                    |
| Mount                | E-mount   |
| Aperture Ring        | Available (Manual Setting)(1/3 stop increments) |
| Electric Contact     | Available                                       |
| Manual Focus Assist  | Available                                       |
| Exif Data            | Available                                       |
| Auto Lens Correction | Possible  |

\* Specification and information is subject to change without prior notice.

## ● Specifications

|                            |   |
|----------------------------|---|
| 5-Axis Image Stabilization | Possible<br>* only on camera body with 5-Axis Image Stabilization |
| Other                      | Selective Aperture Control System                                 |
| Supplied Accessory         | Front Cap, Rear Cap, Lens Hood                                    |

\* Specification and information is subject to change without prior notice.